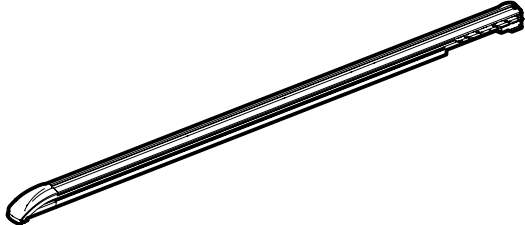
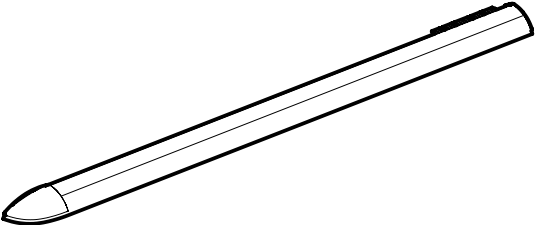
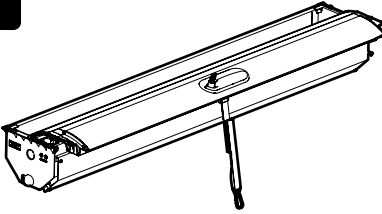
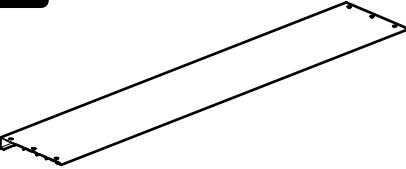
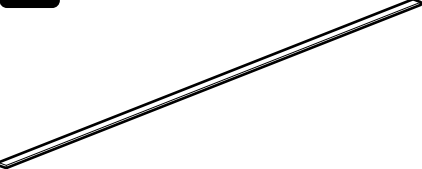




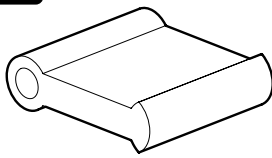
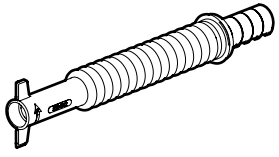
# **MOUNTAIN TOP<sup>®</sup> ROLL COVER**

Installation manual

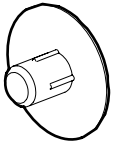

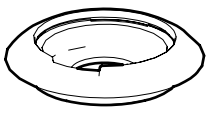
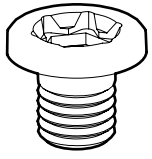
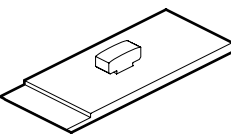
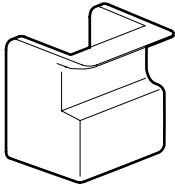
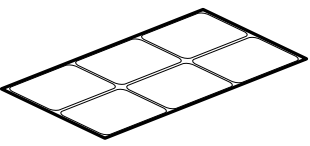
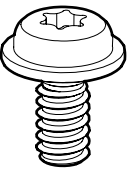
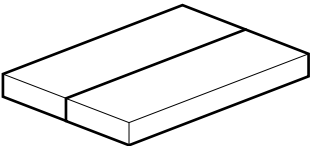
Parts

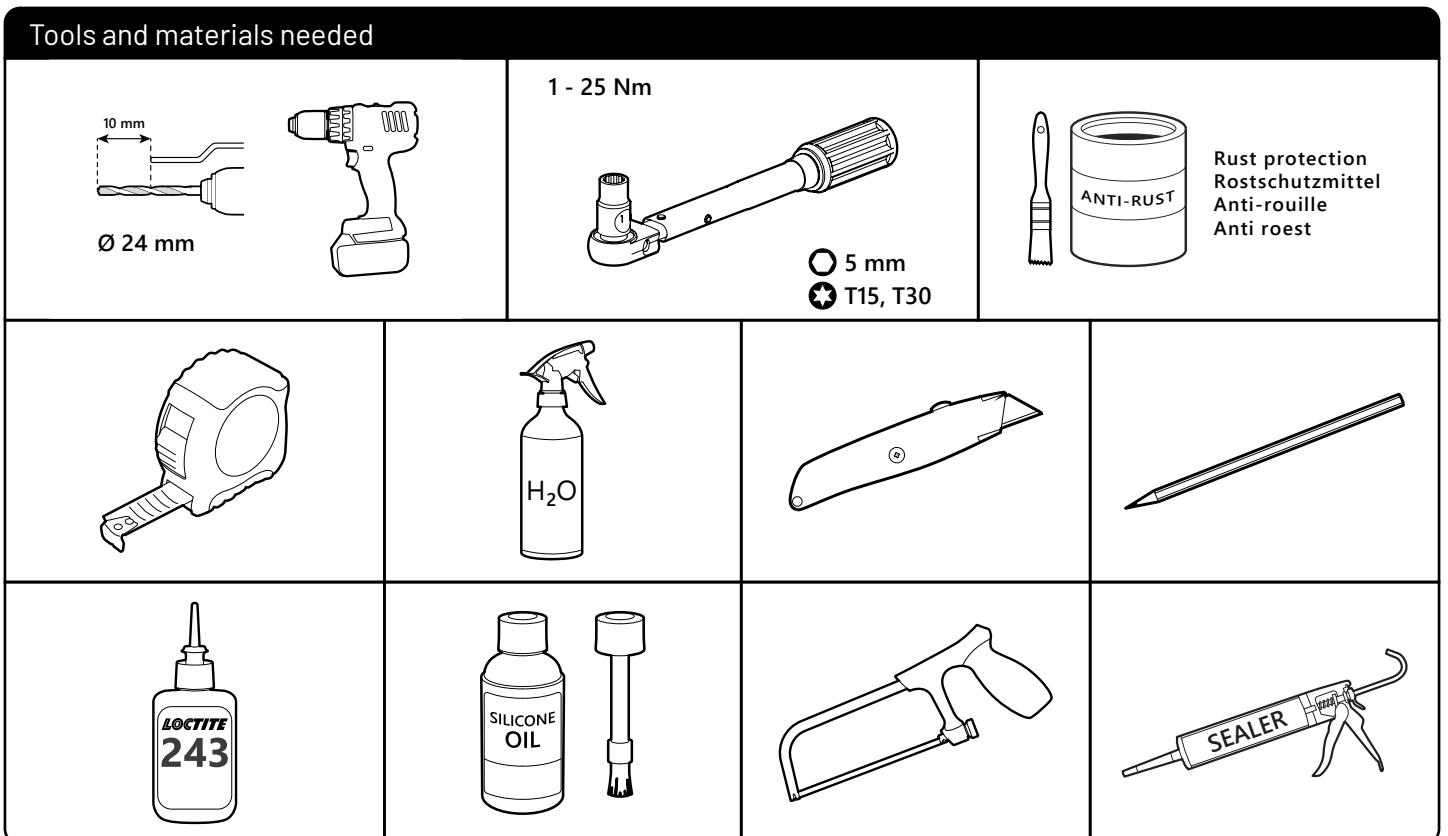
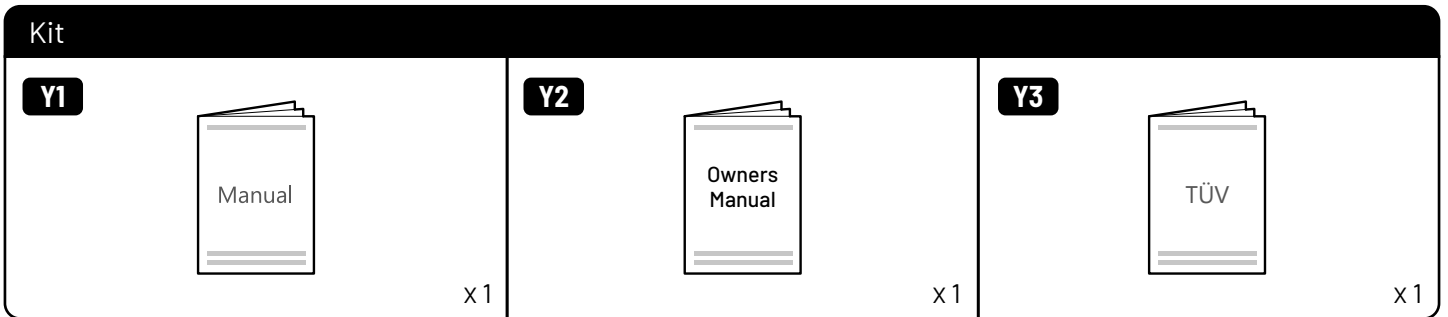
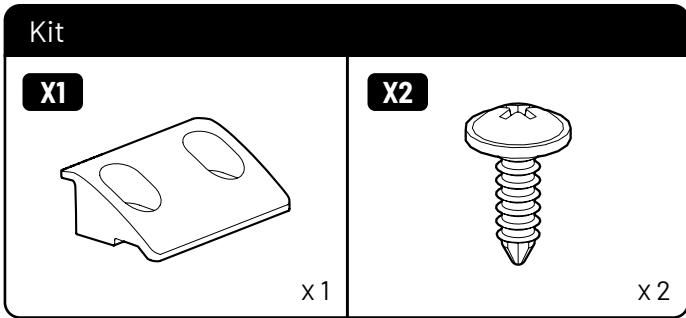
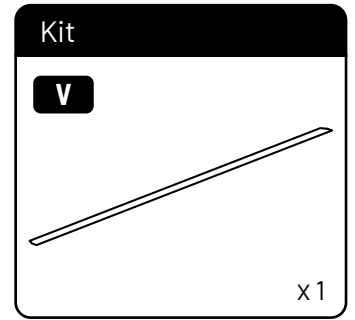
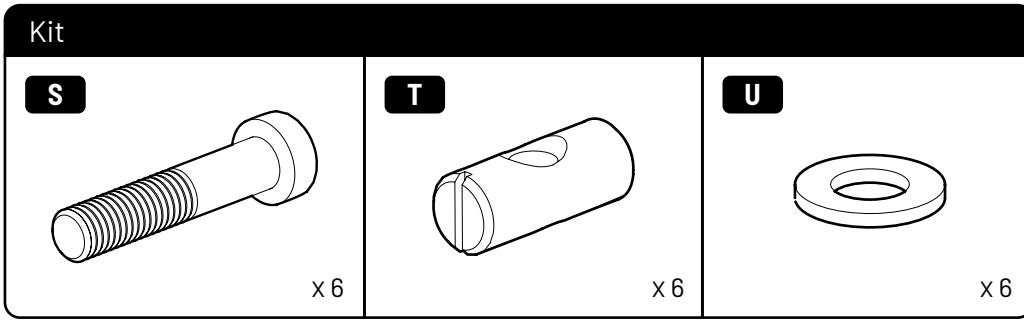
<p><b>A</b></p>  <p>x1</p>	<p><b>B</b></p>  <p>x1</p>	
<p><b>C</b></p>  <p>x1</p>	<p><b>D</b></p>  <p>x1</p>	<p><b>E</b></p>  <p>x1</p>

Kit

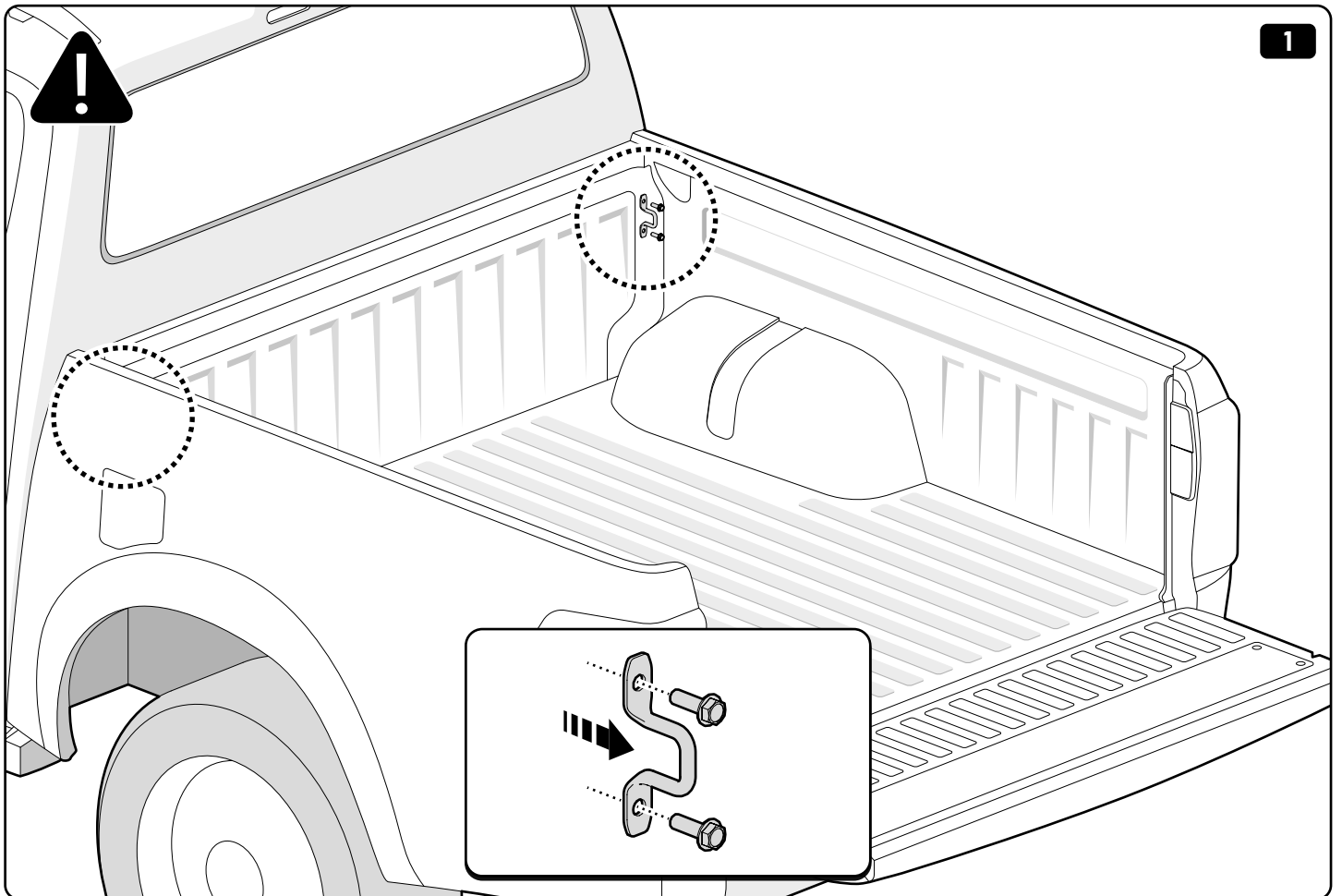
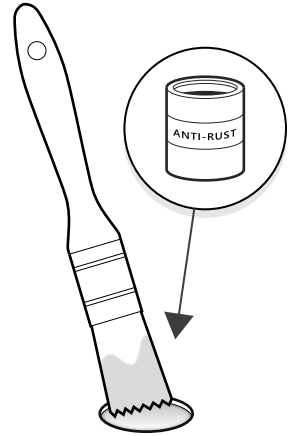
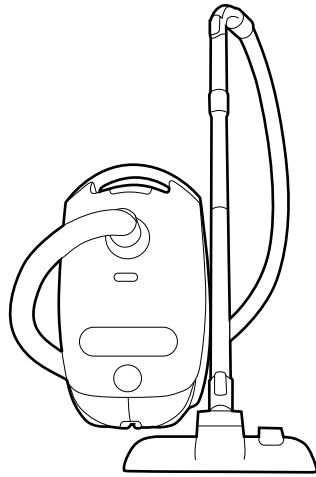
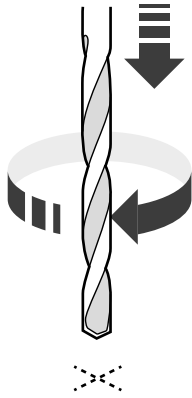
<p><b>F</b></p>  <p>x6</p>	<p><b>G</b></p>  <p>x6</p>	<p><b>H</b></p>  <p>x6</p>	<p><b>I</b></p>  <p>x2</p>
--	--	--	---

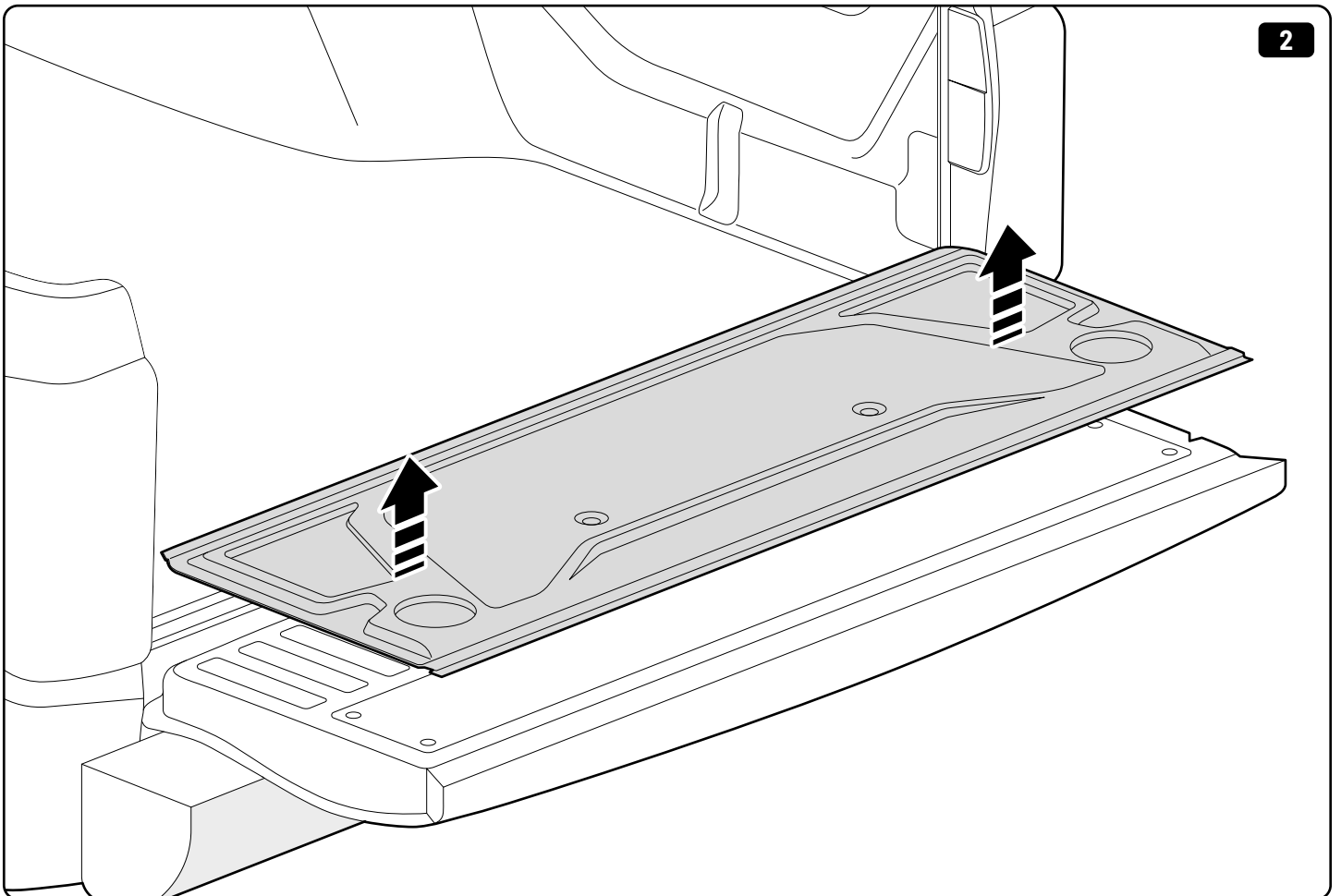
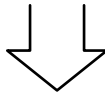
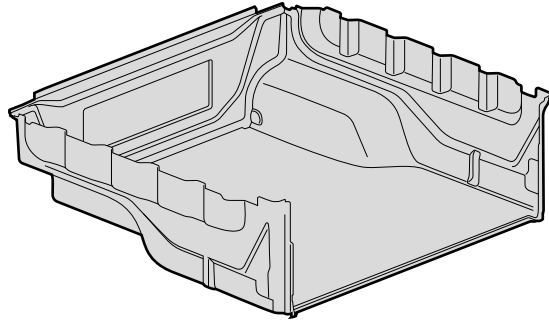
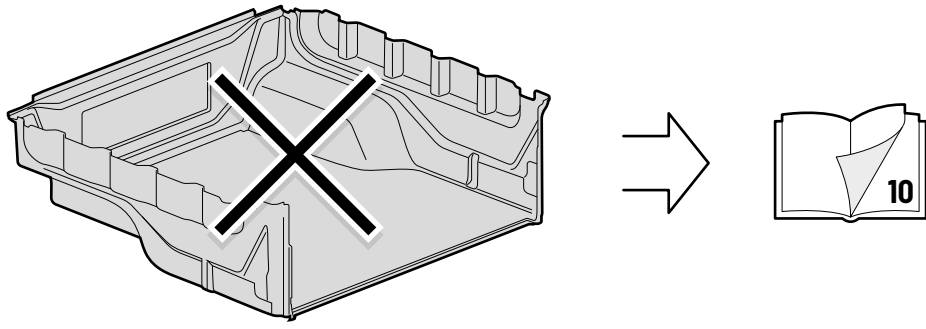
Kit

<p><b>J</b></p>  <p>x12</p>	<p><b>K</b></p>  <p>x6</p>	<p><b>L</b></p>  <p>x6</p>
<p><b>M</b></p>  <p>x6</p>	<p><b>N</b></p>  <p>x2</p>	<p><b>O</b></p>  <p>x2</p>
<p><b>P</b></p>  <p>x1</p>	<p><b>Q</b></p>  <p>x4</p>	<p><b>R</b></p>  <p>x2</p>

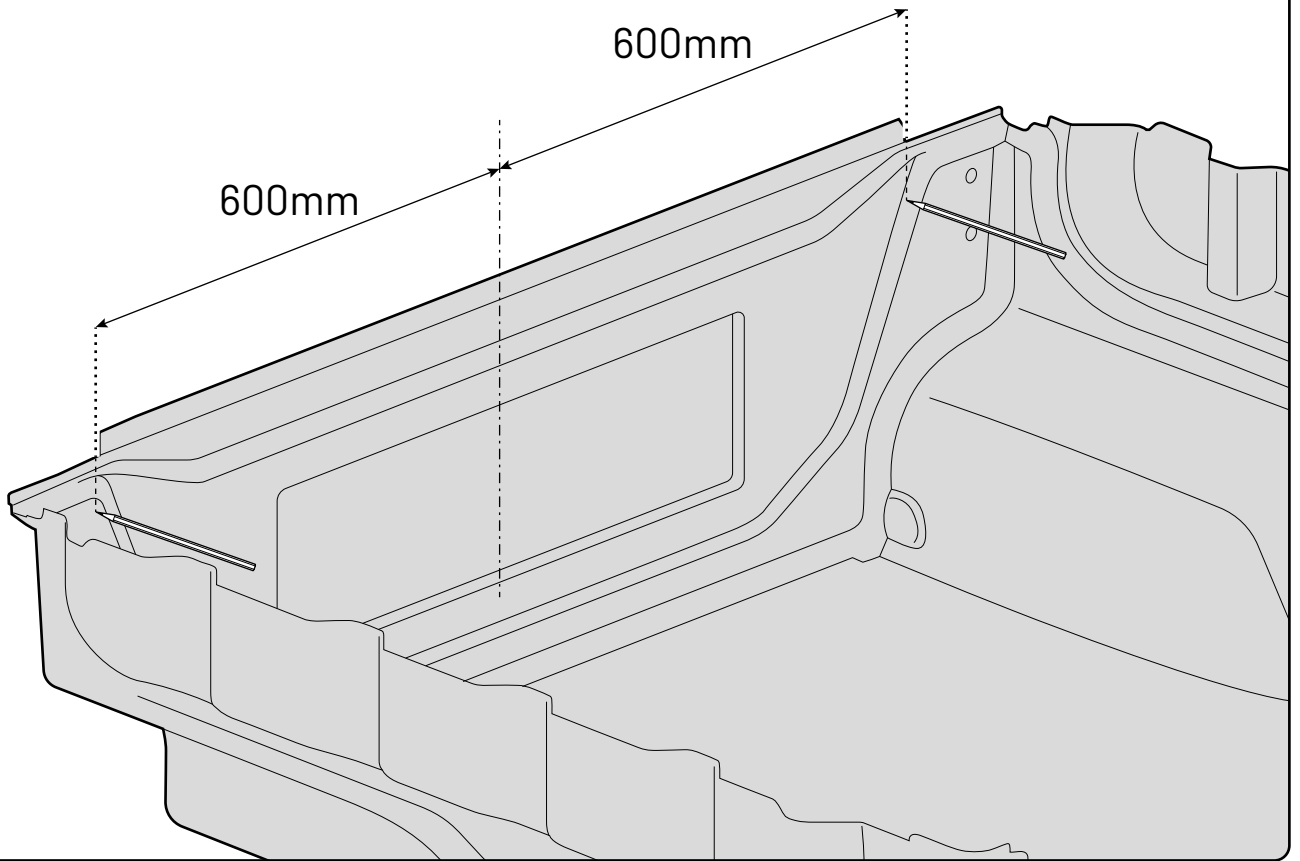


1 Applying rust protection

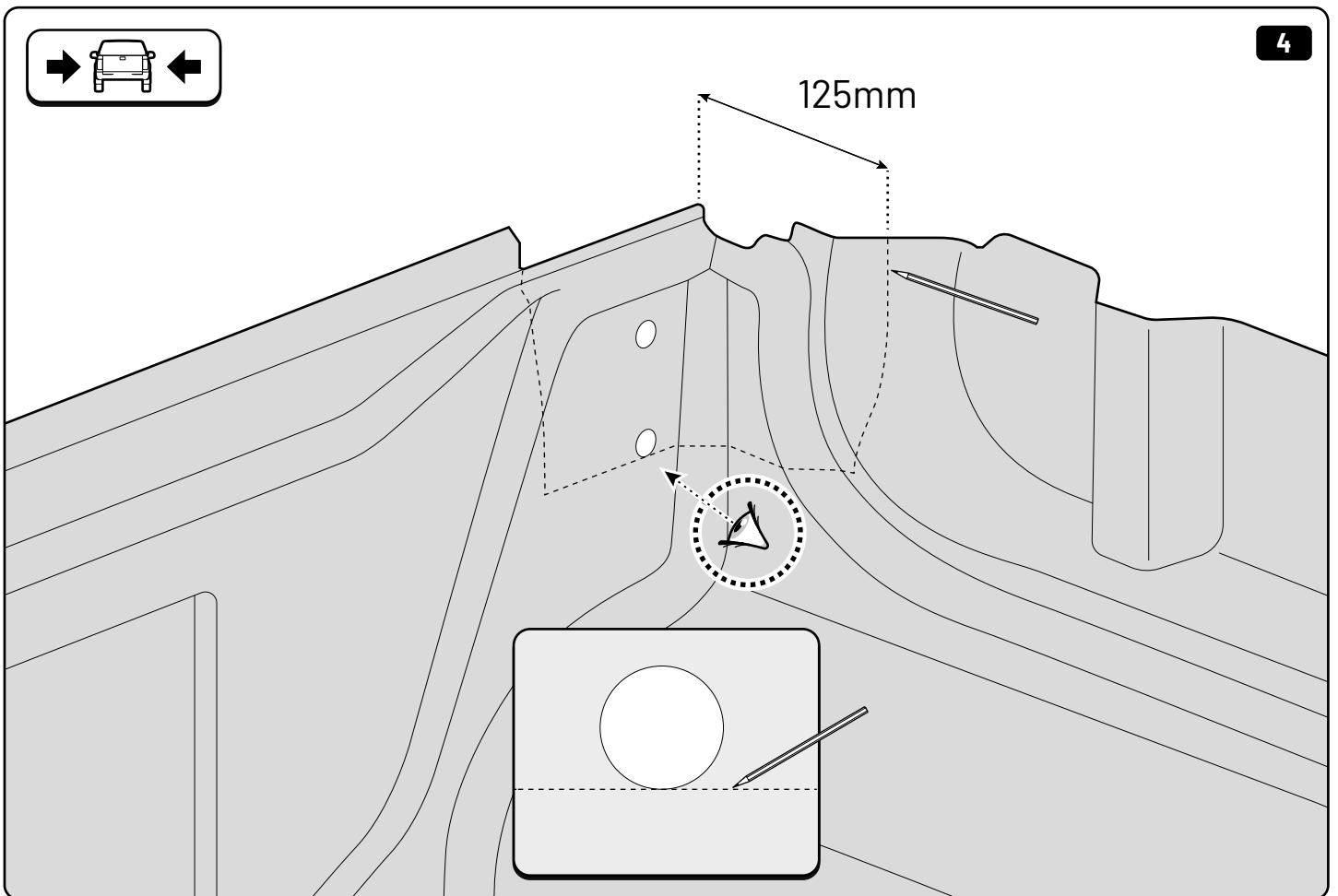




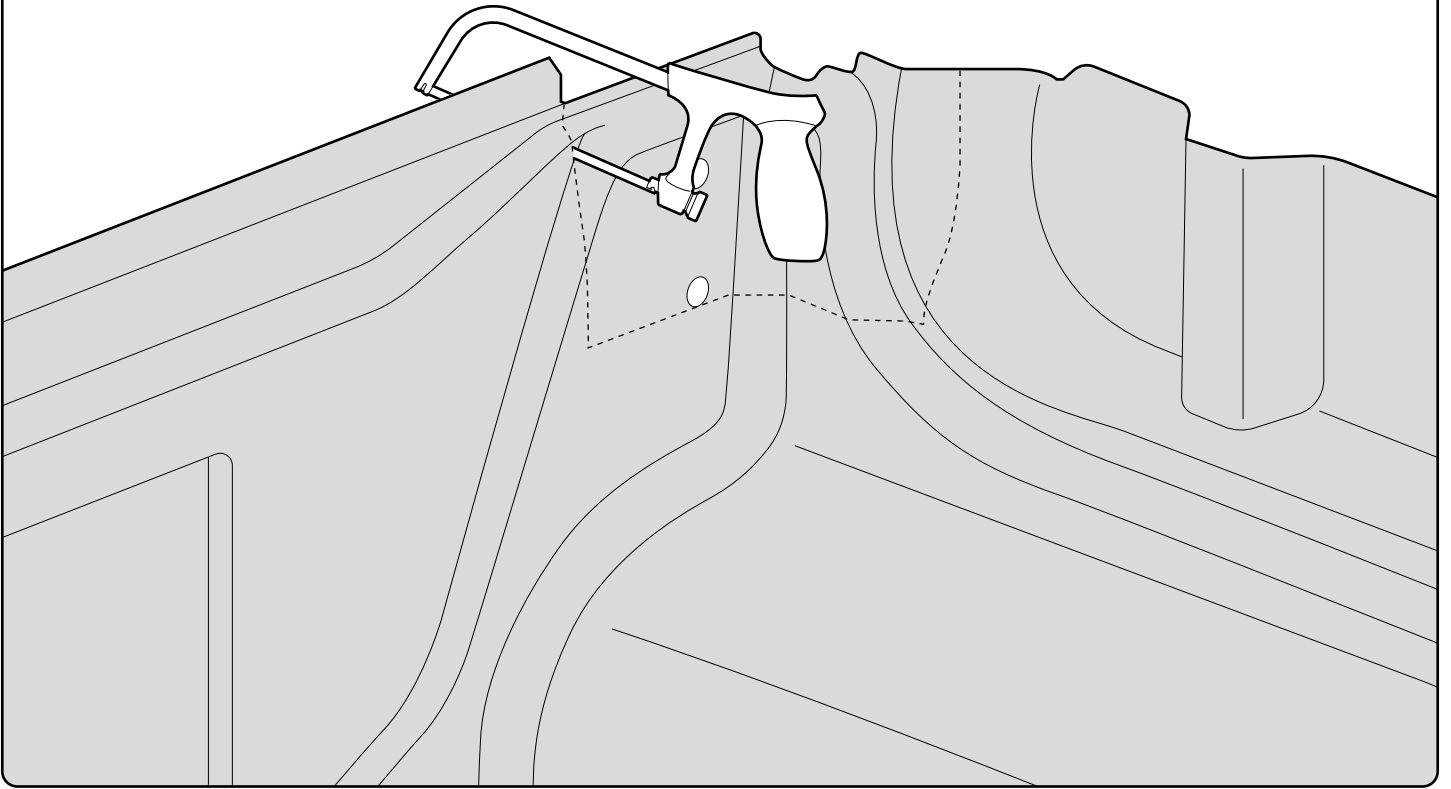
3



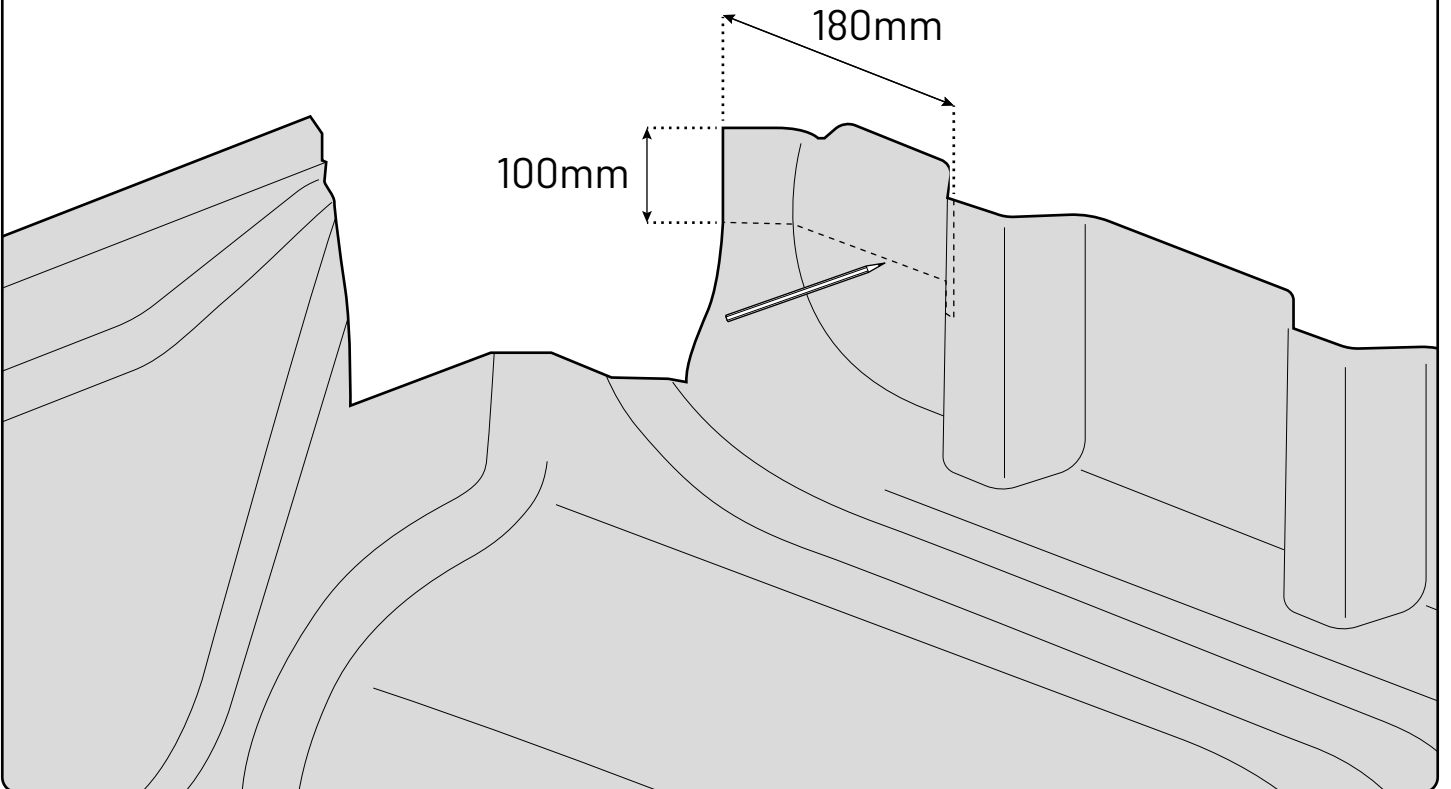
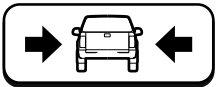
4



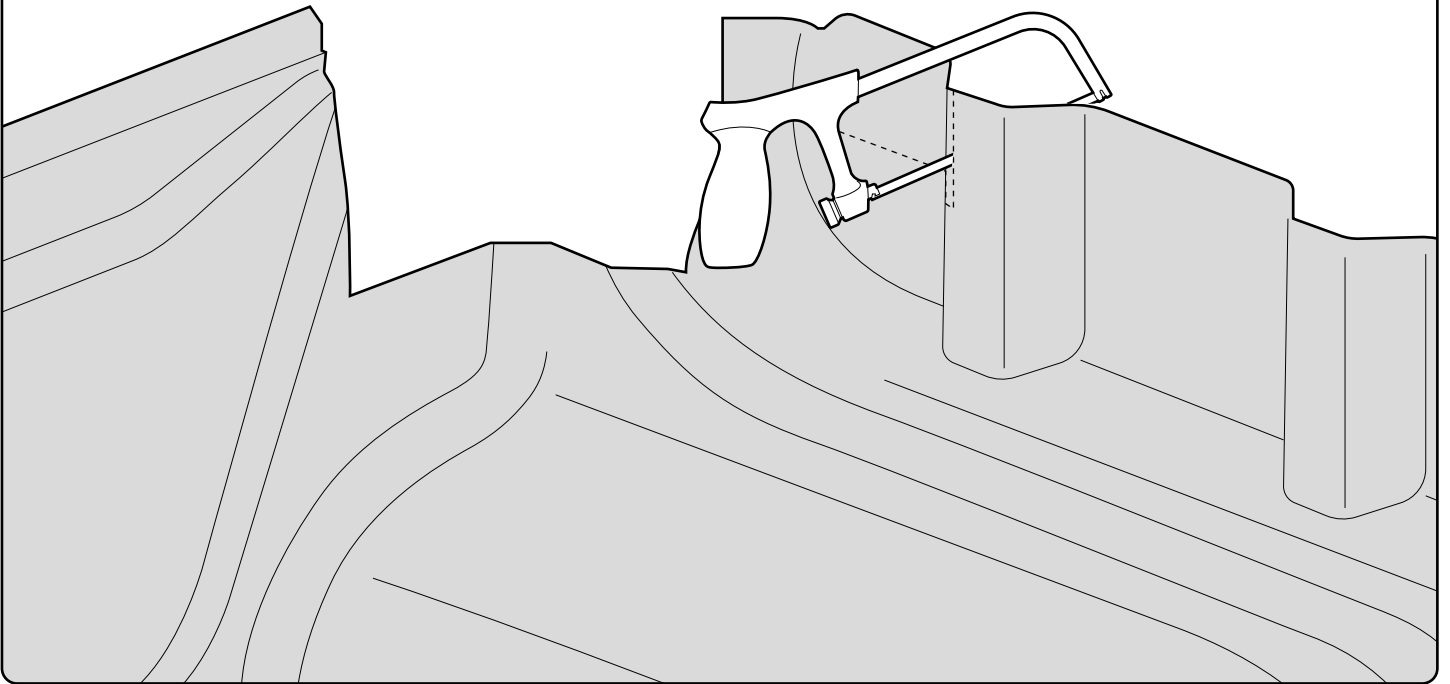
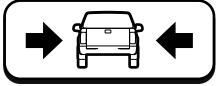
5



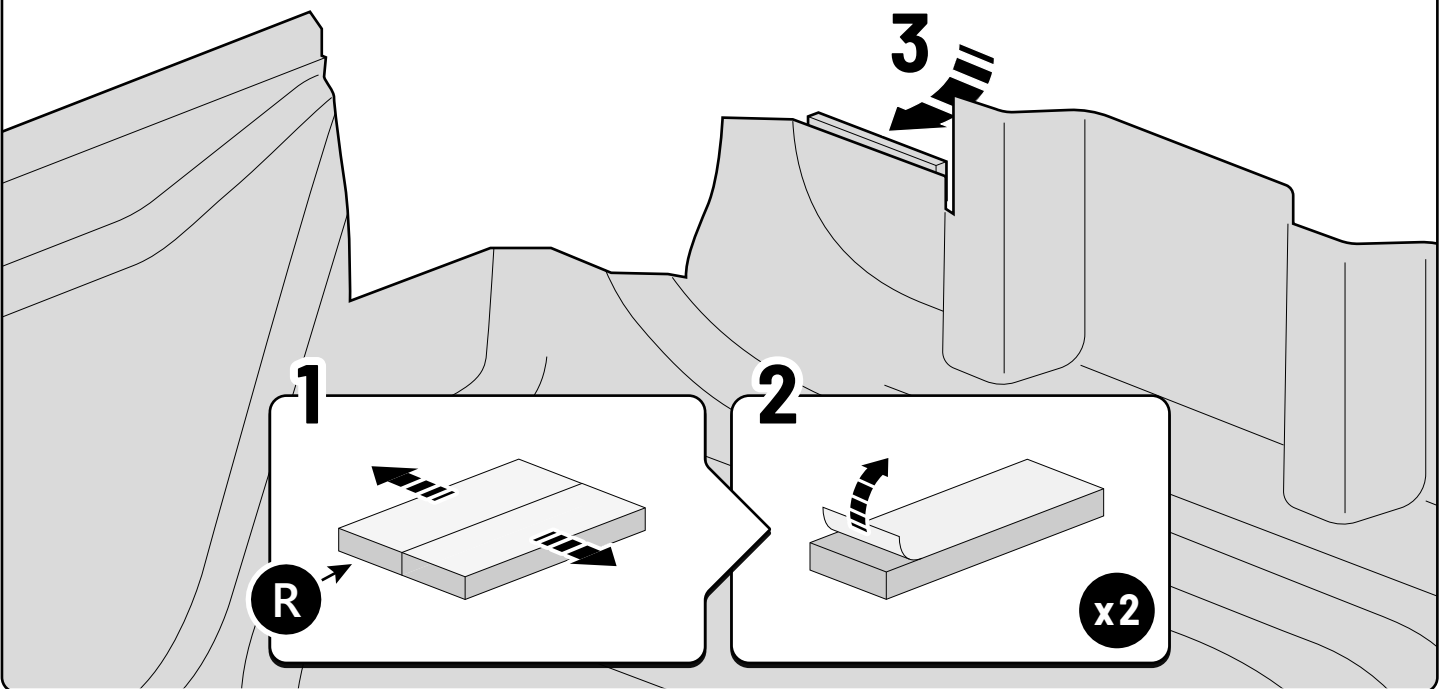
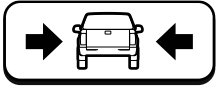
6



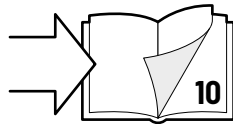
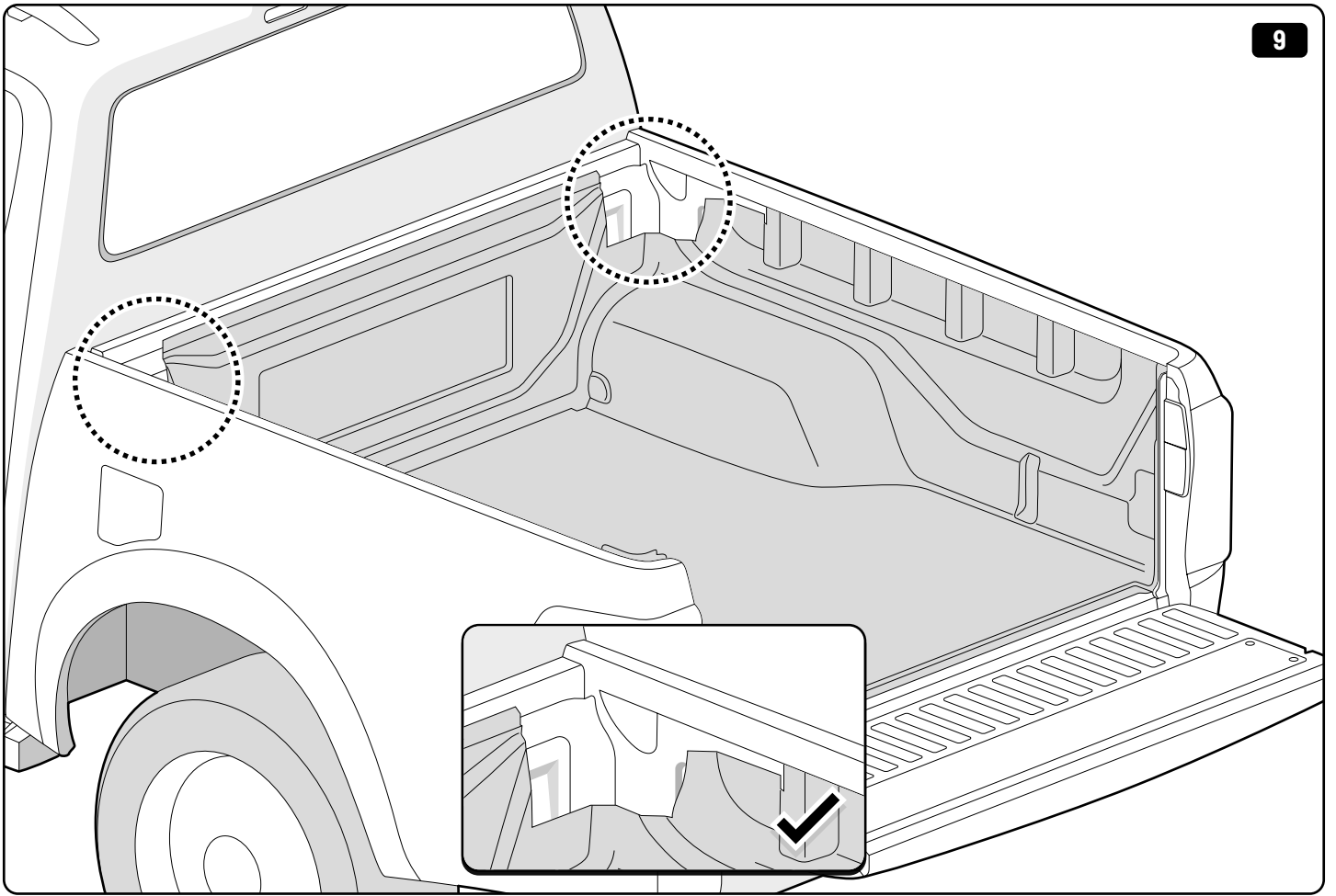
7

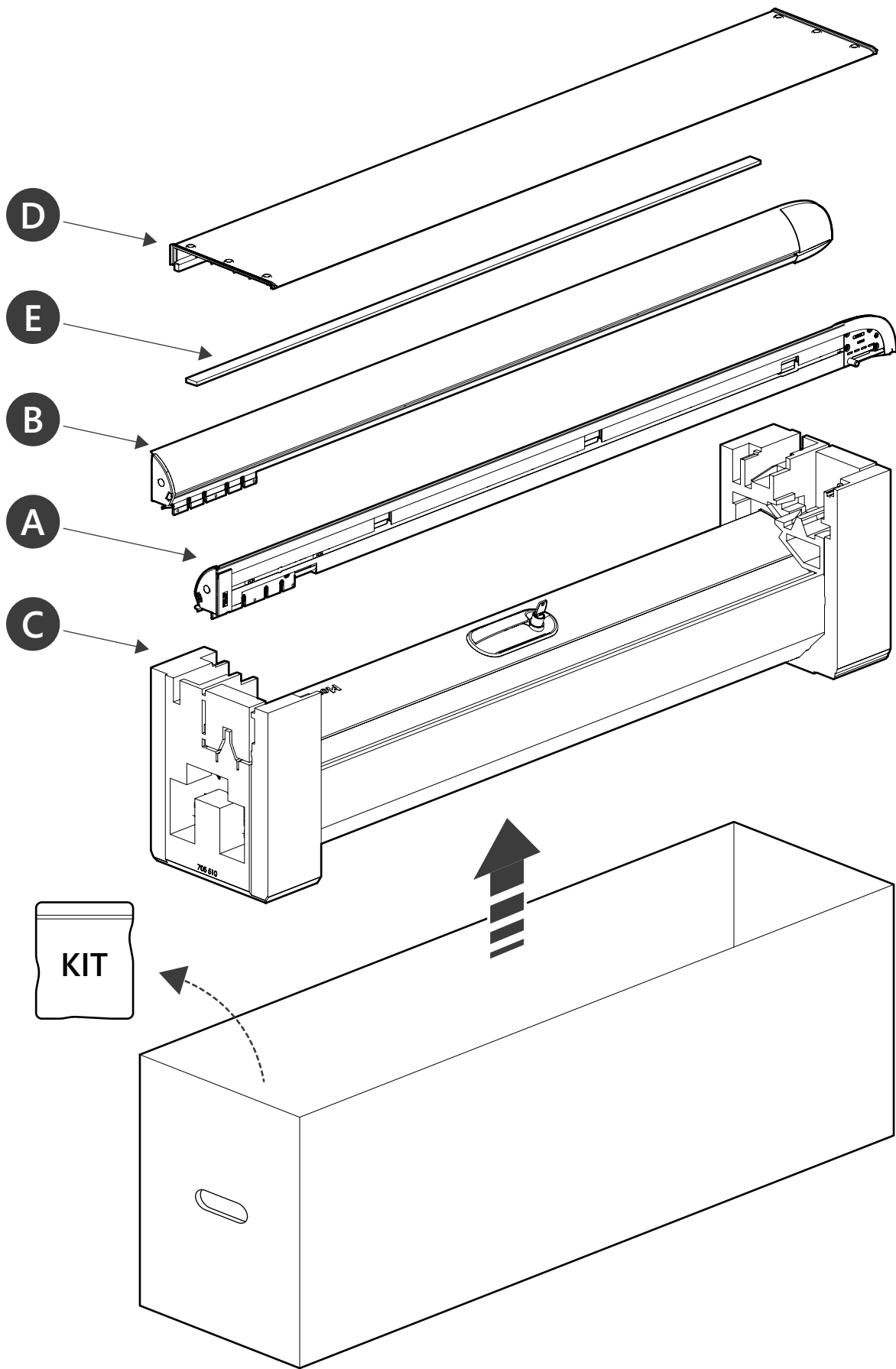


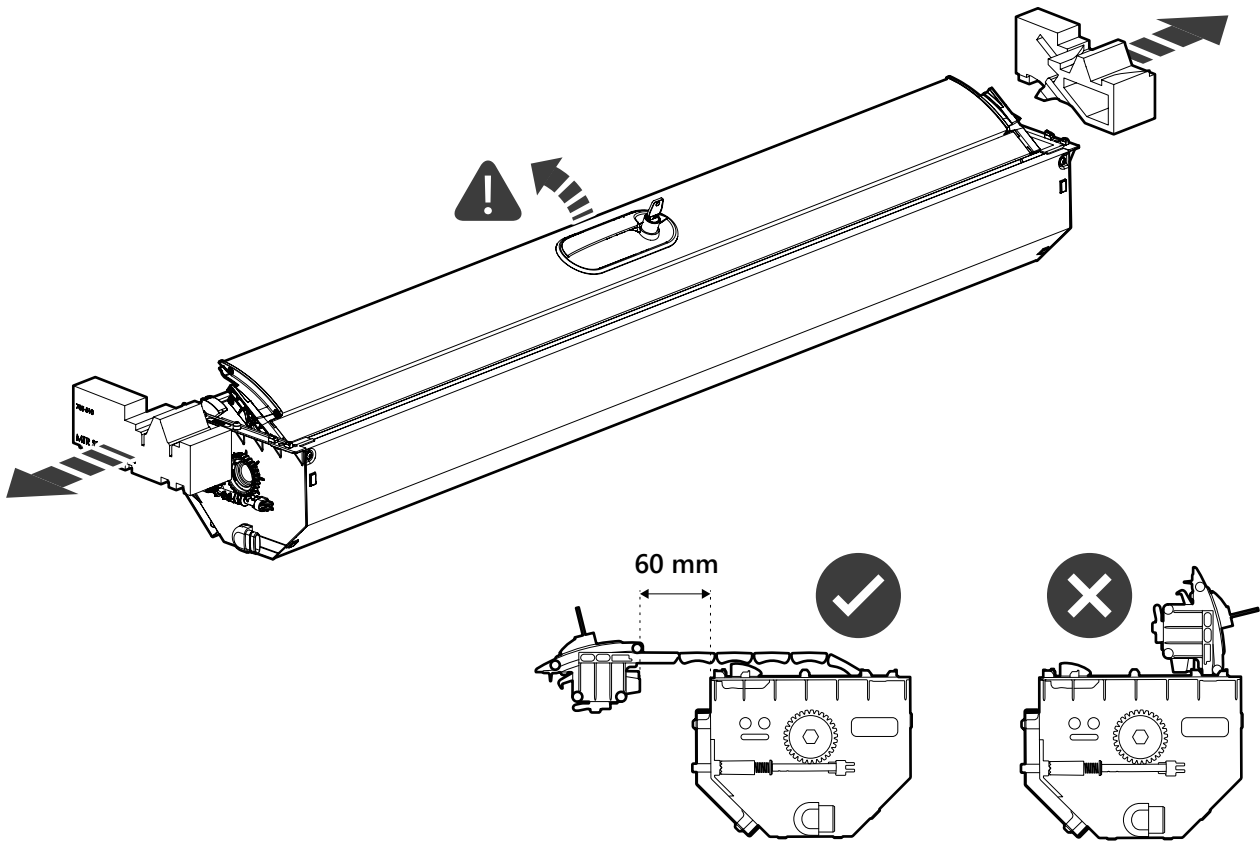
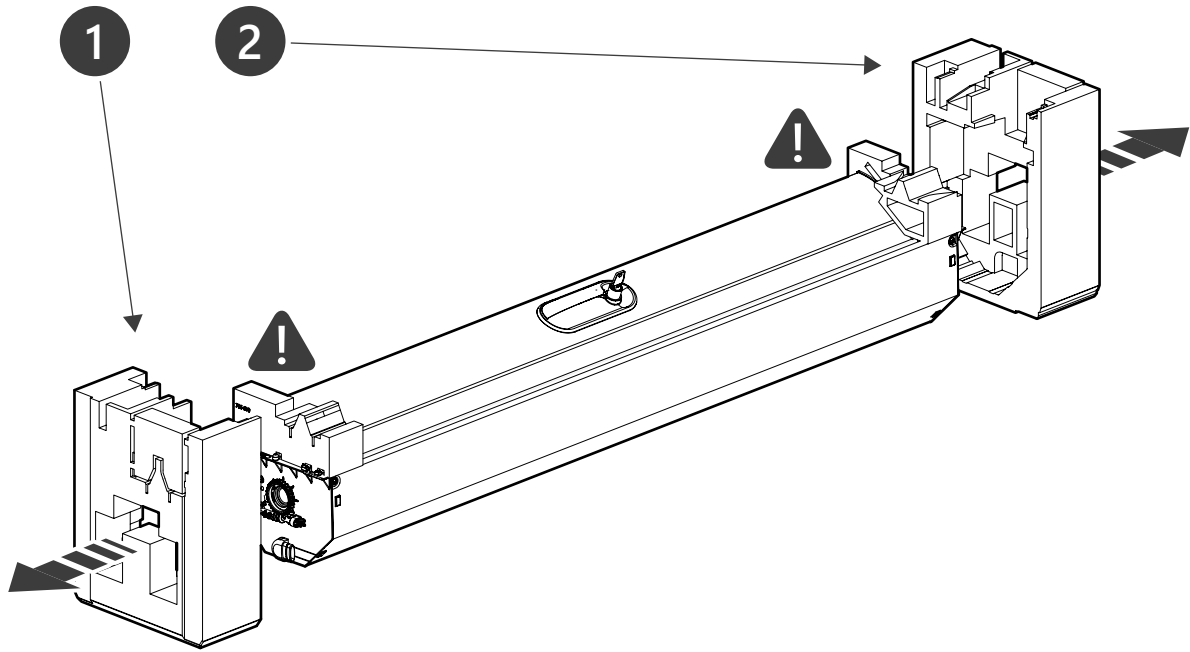
8

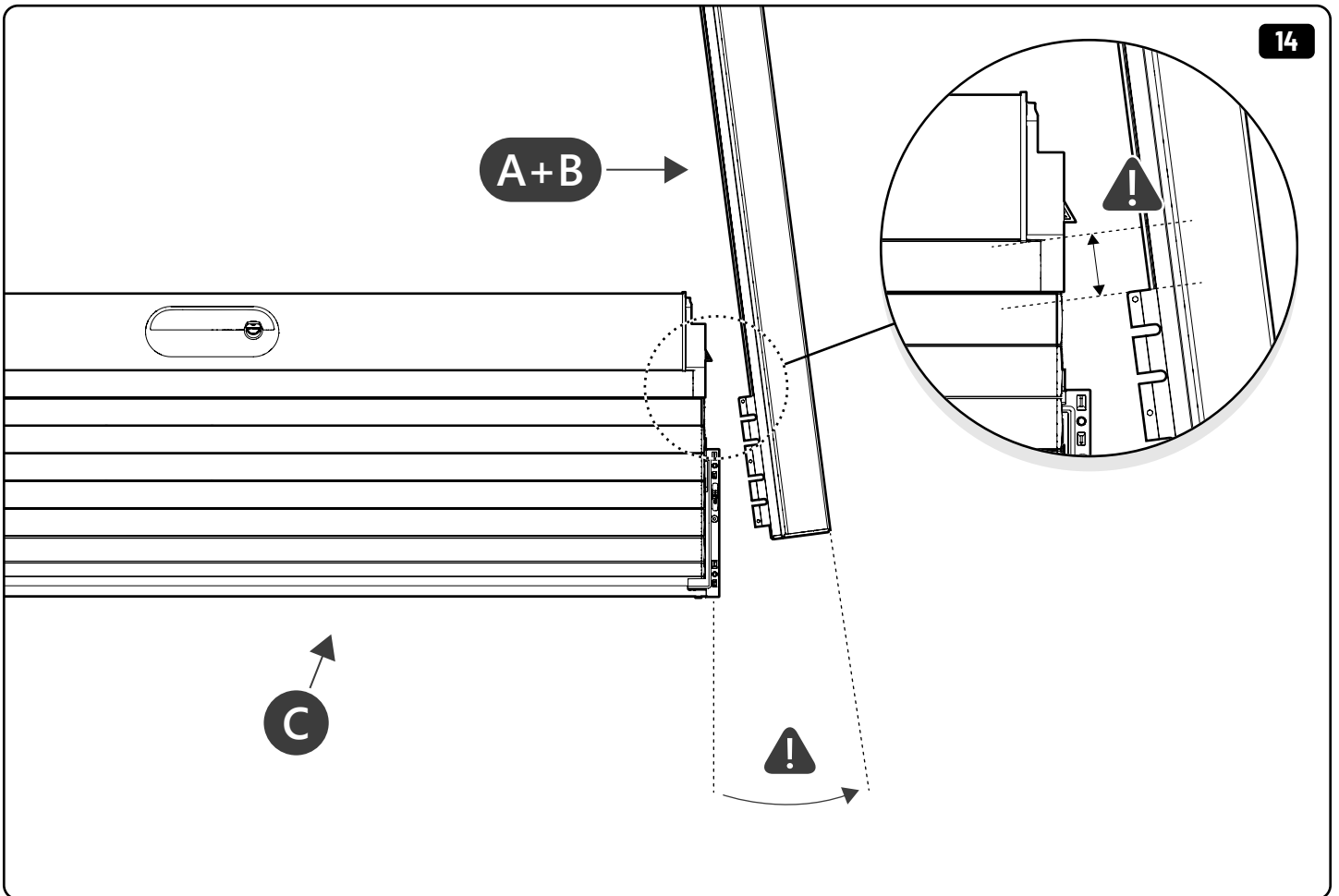
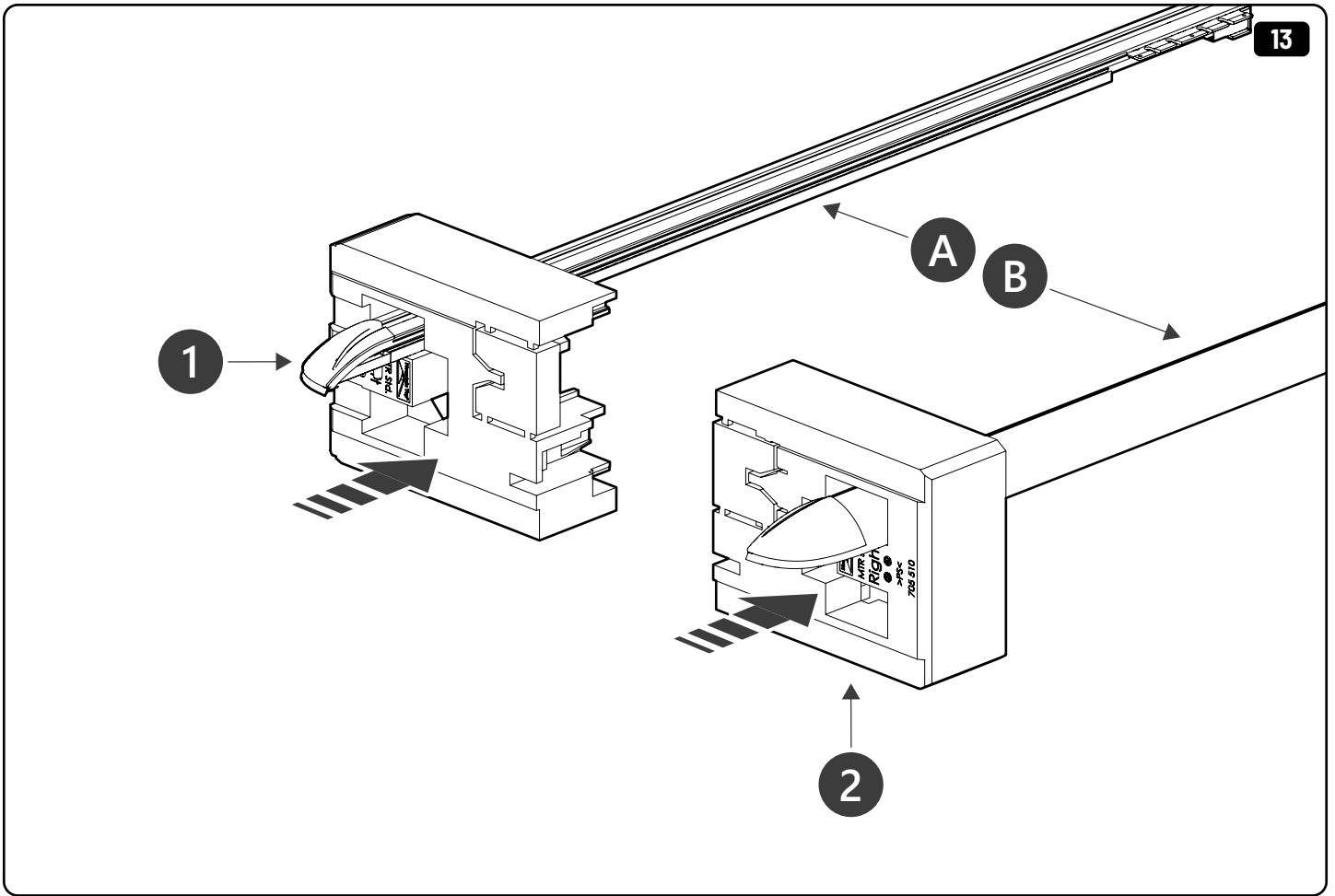


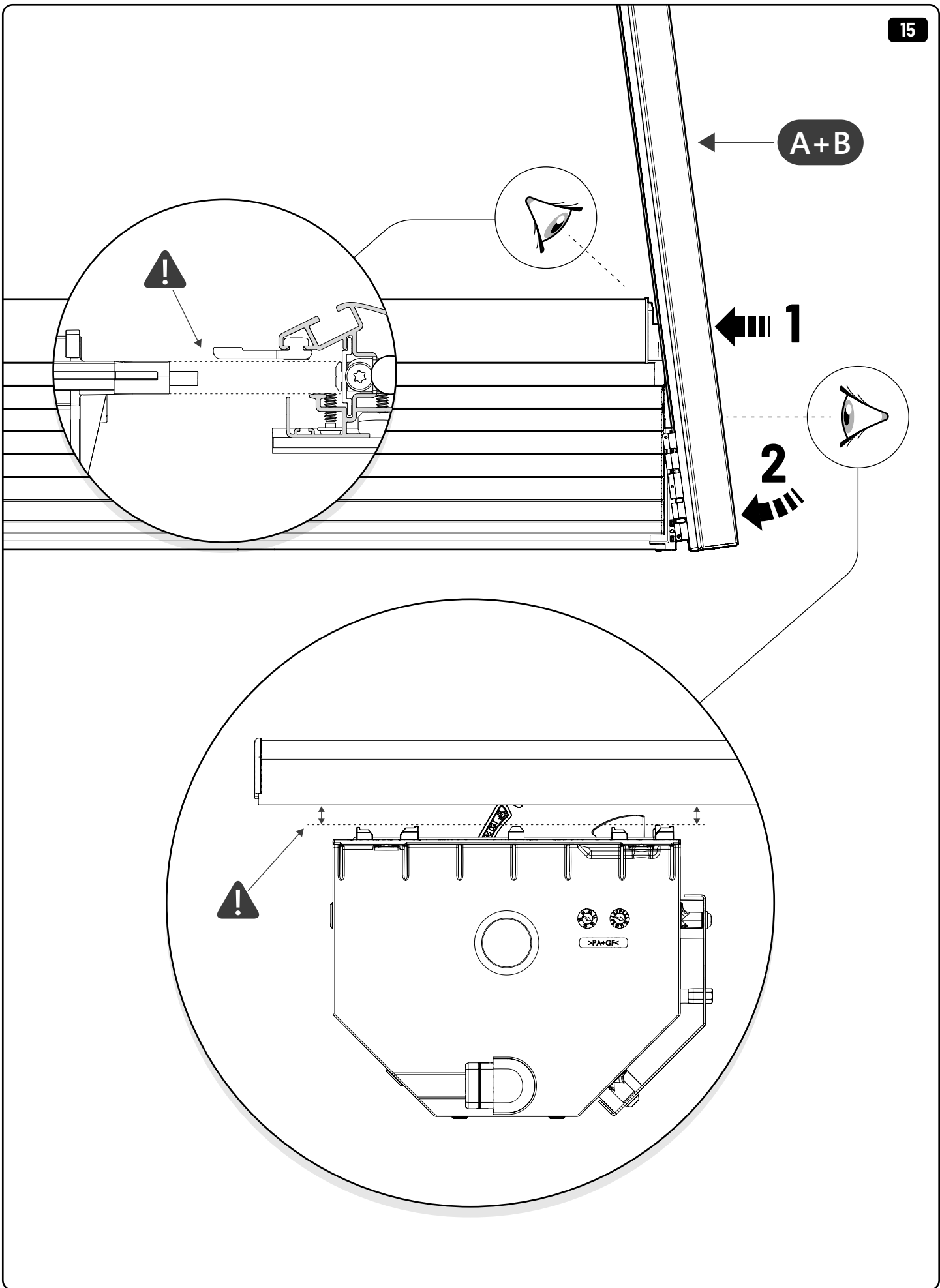


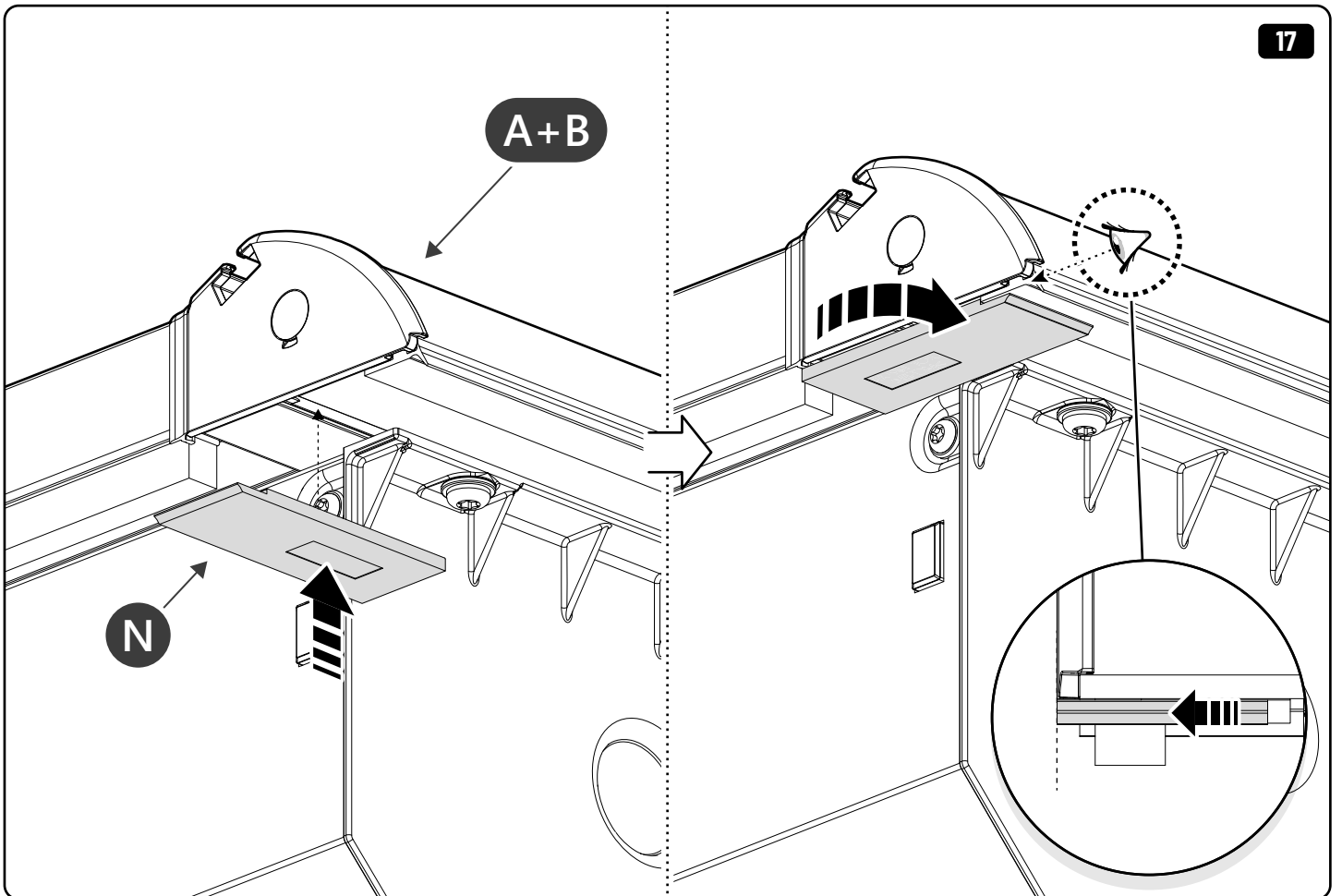
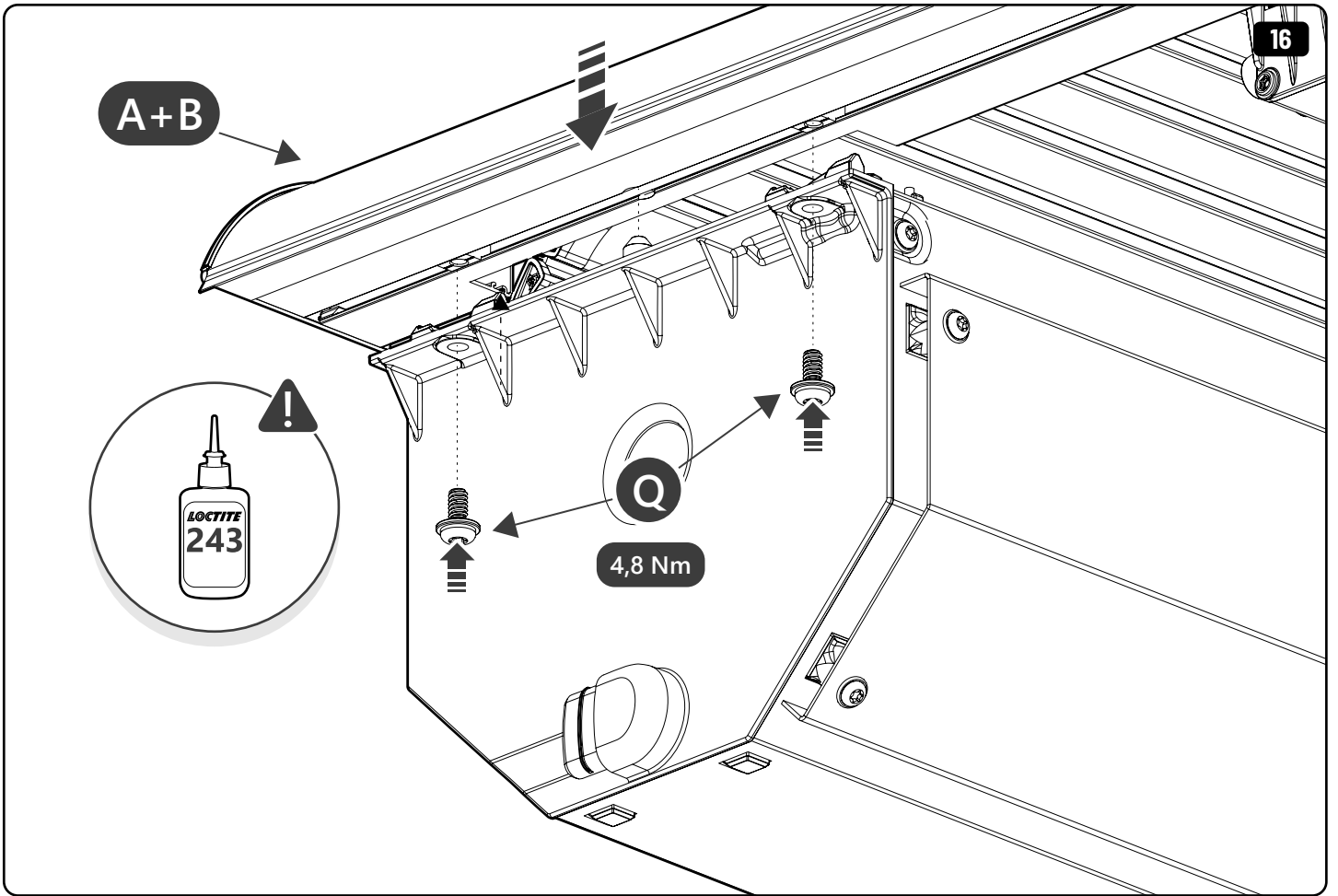


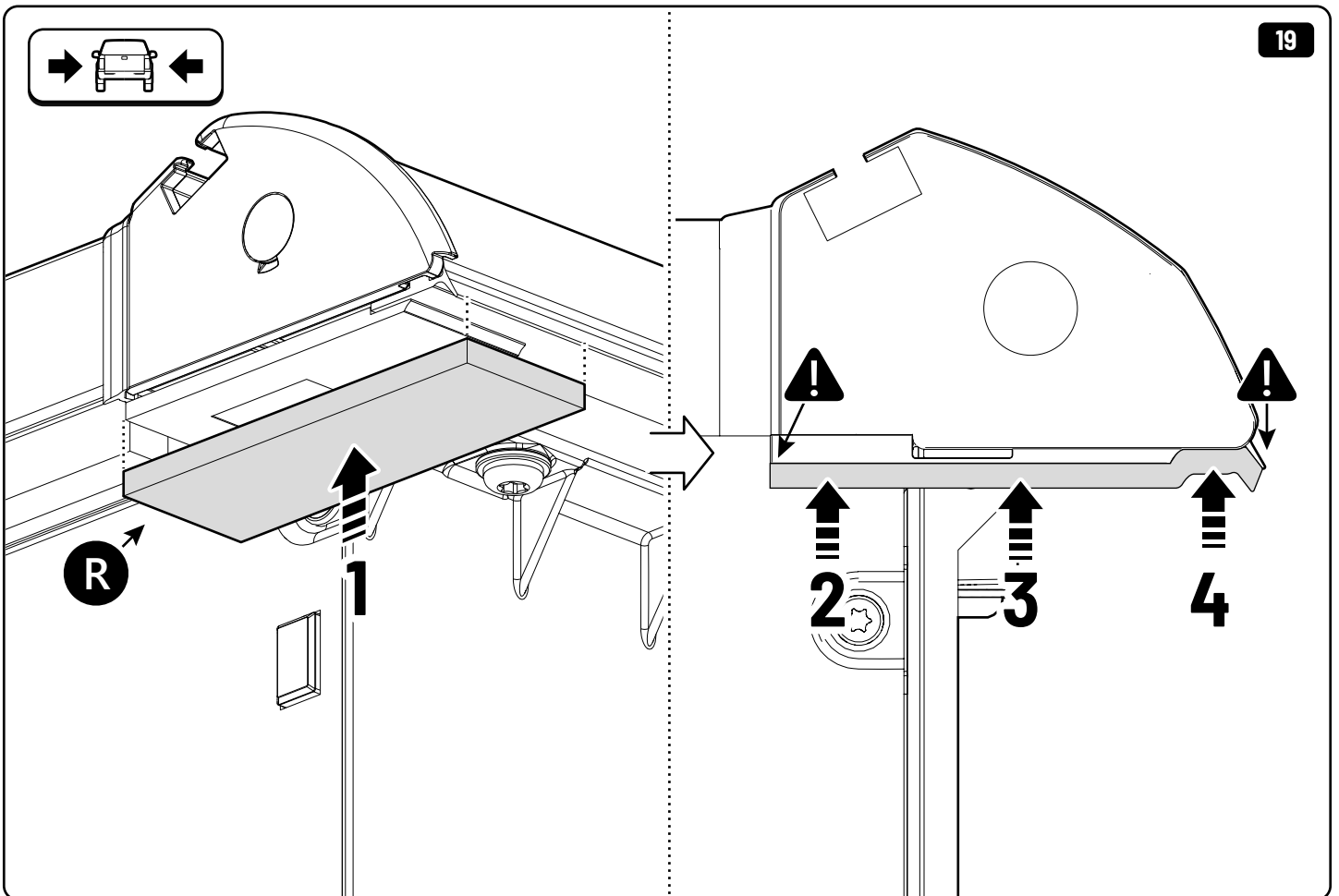
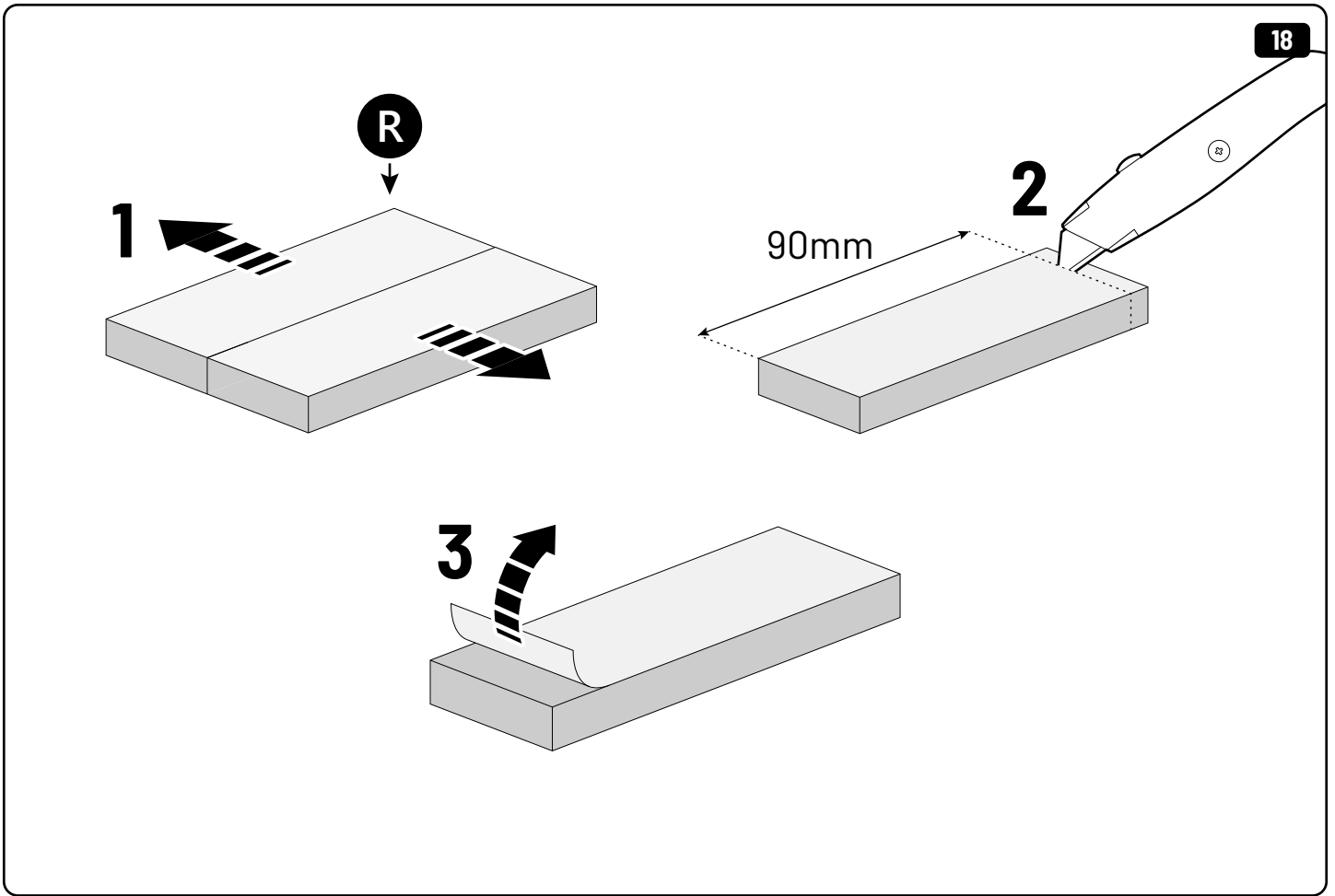


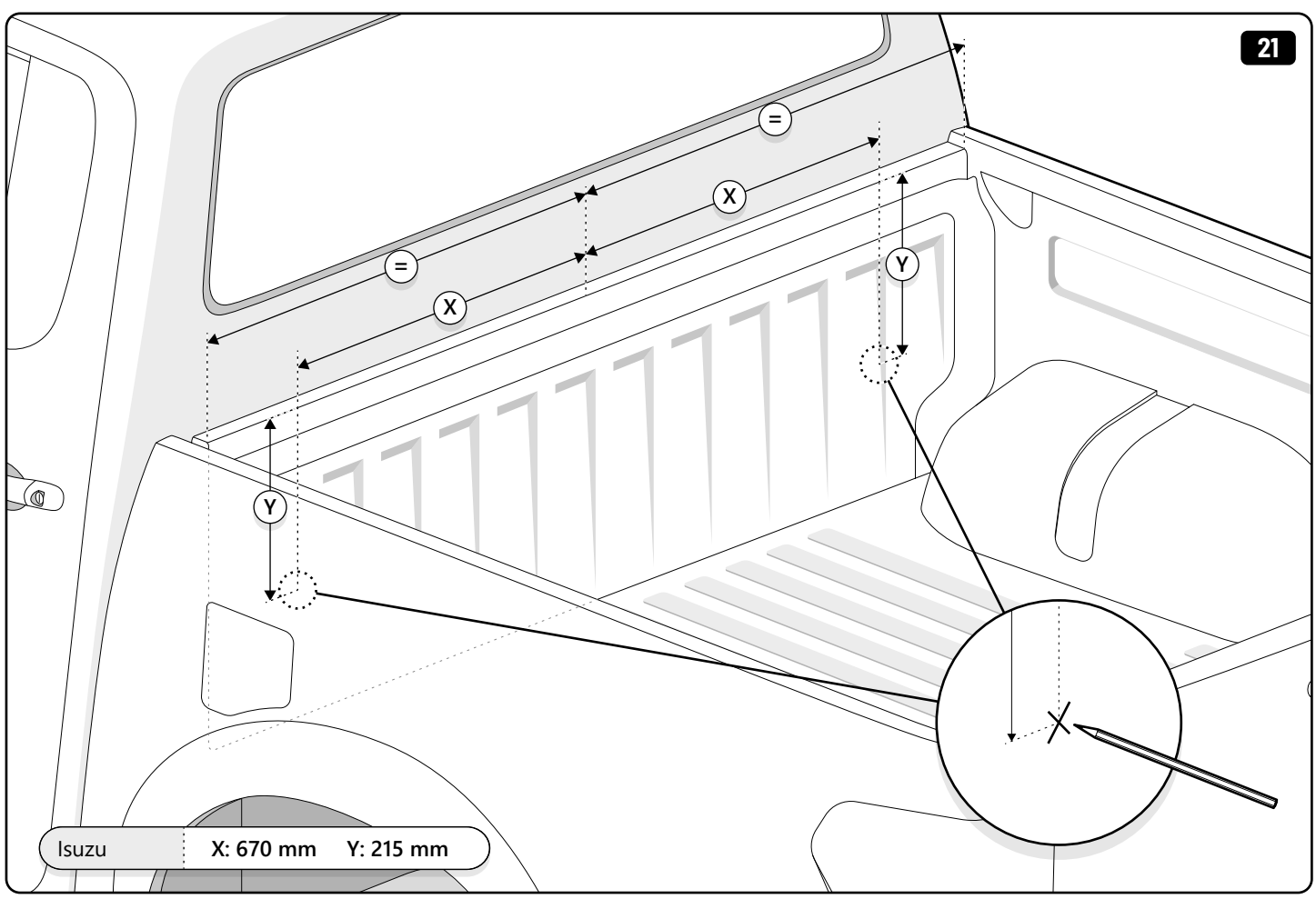
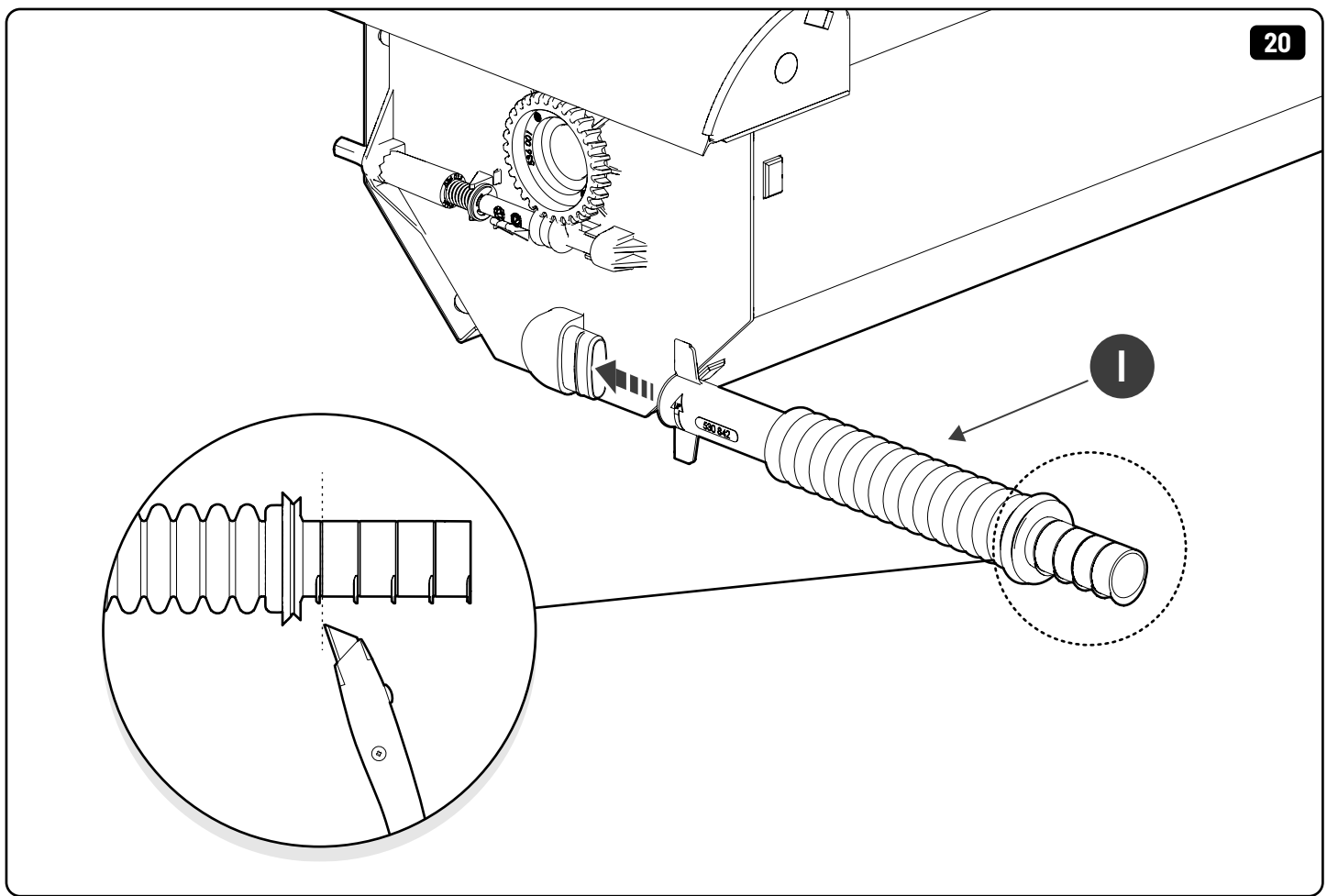








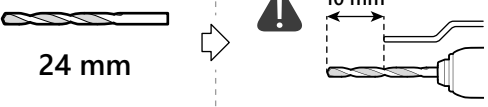




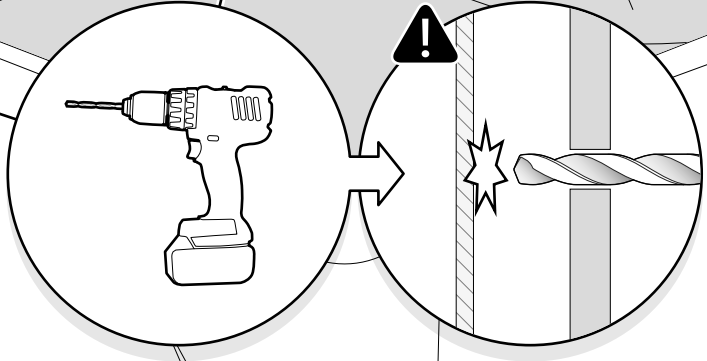
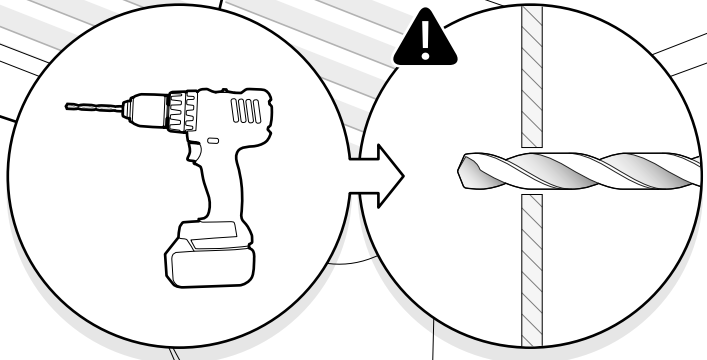
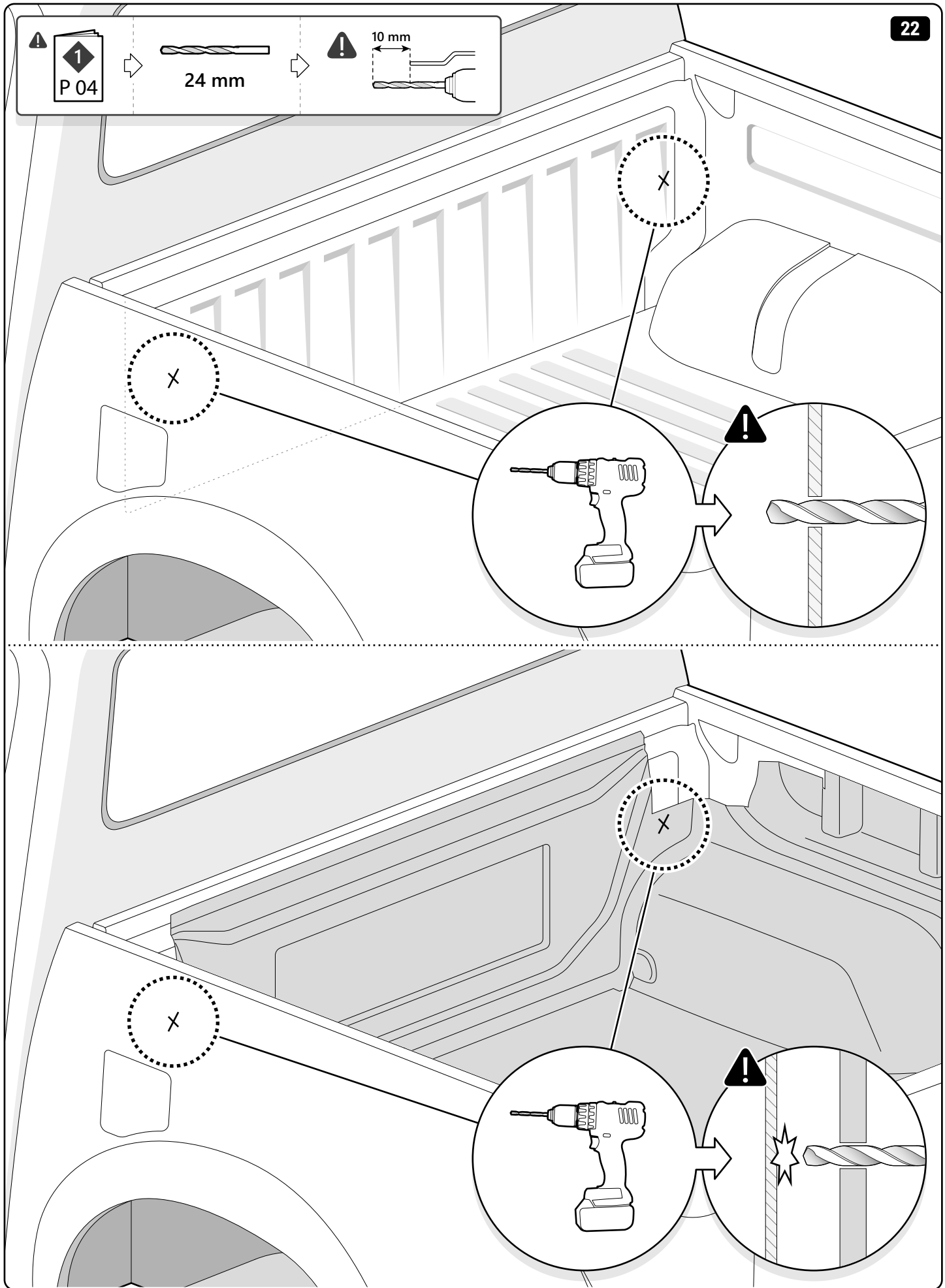
Isuzu X: 670 mm Y: 215 mm

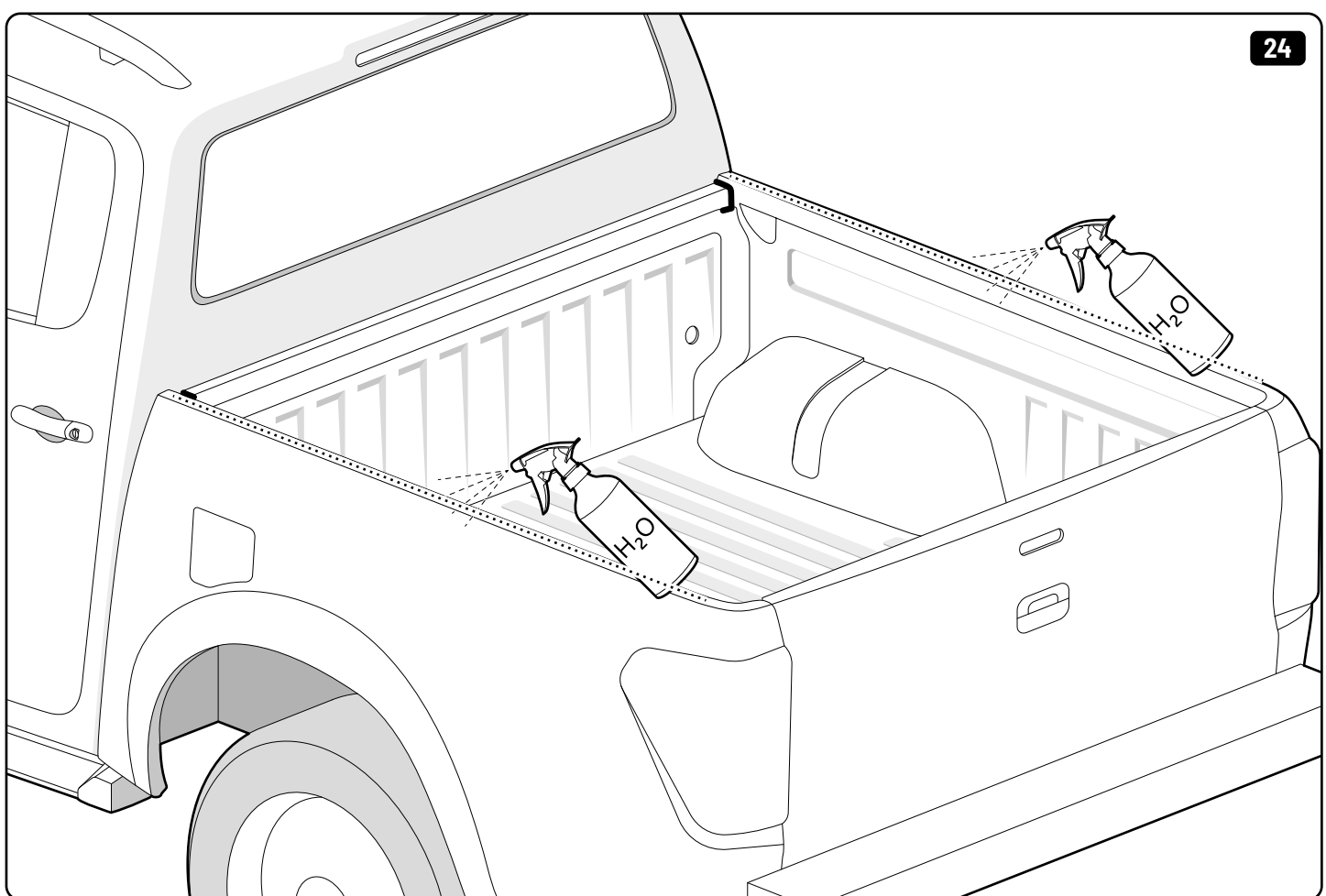
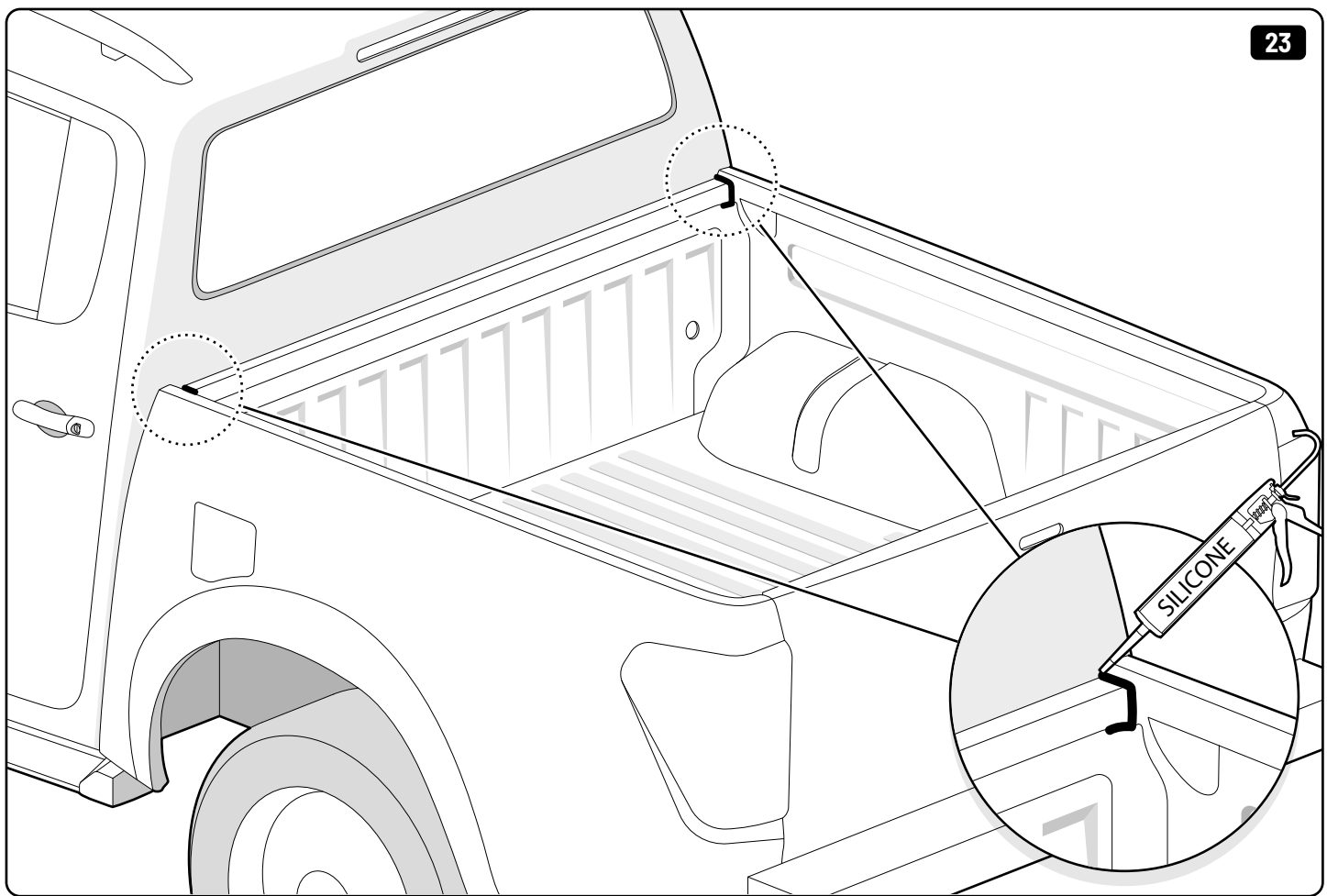


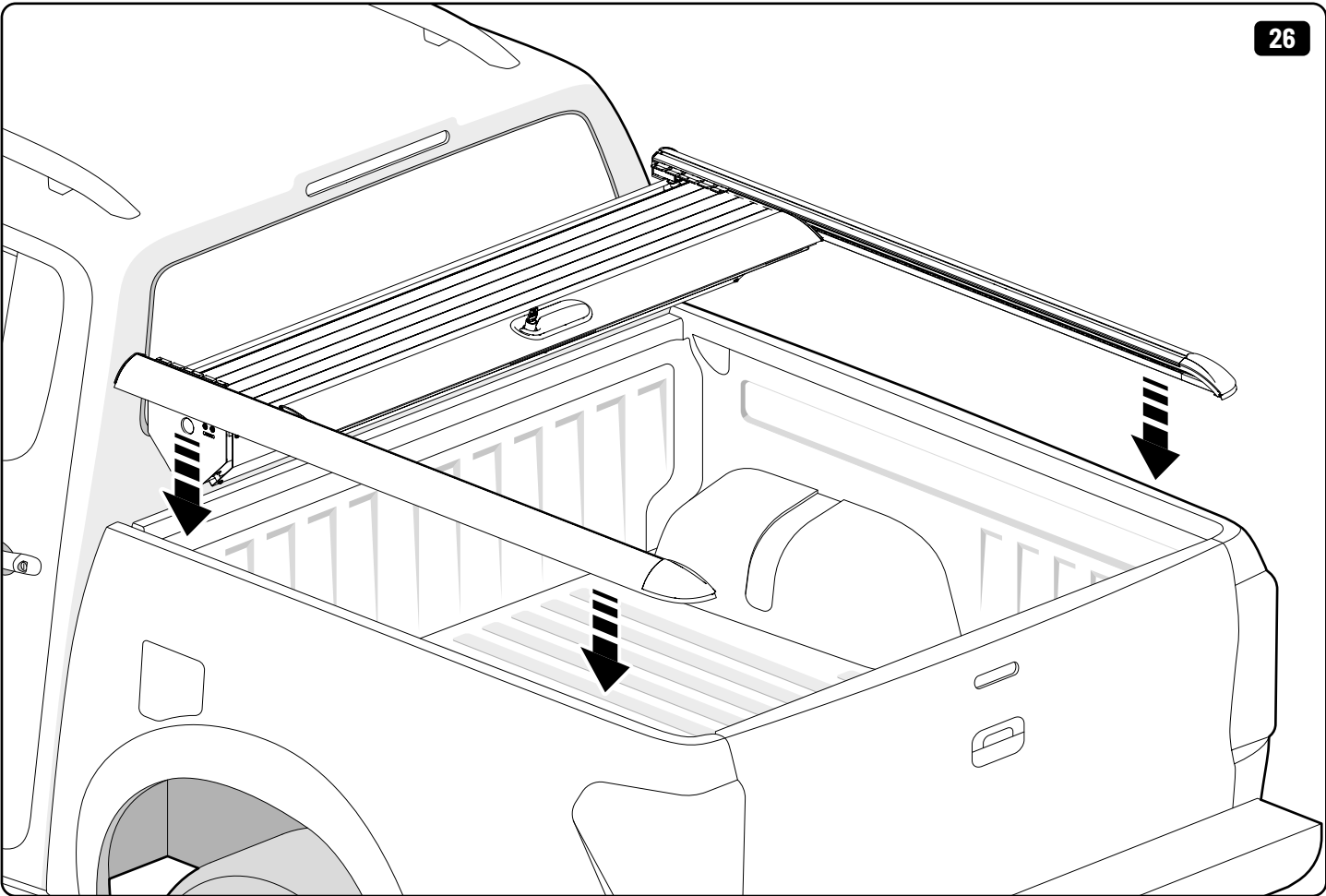
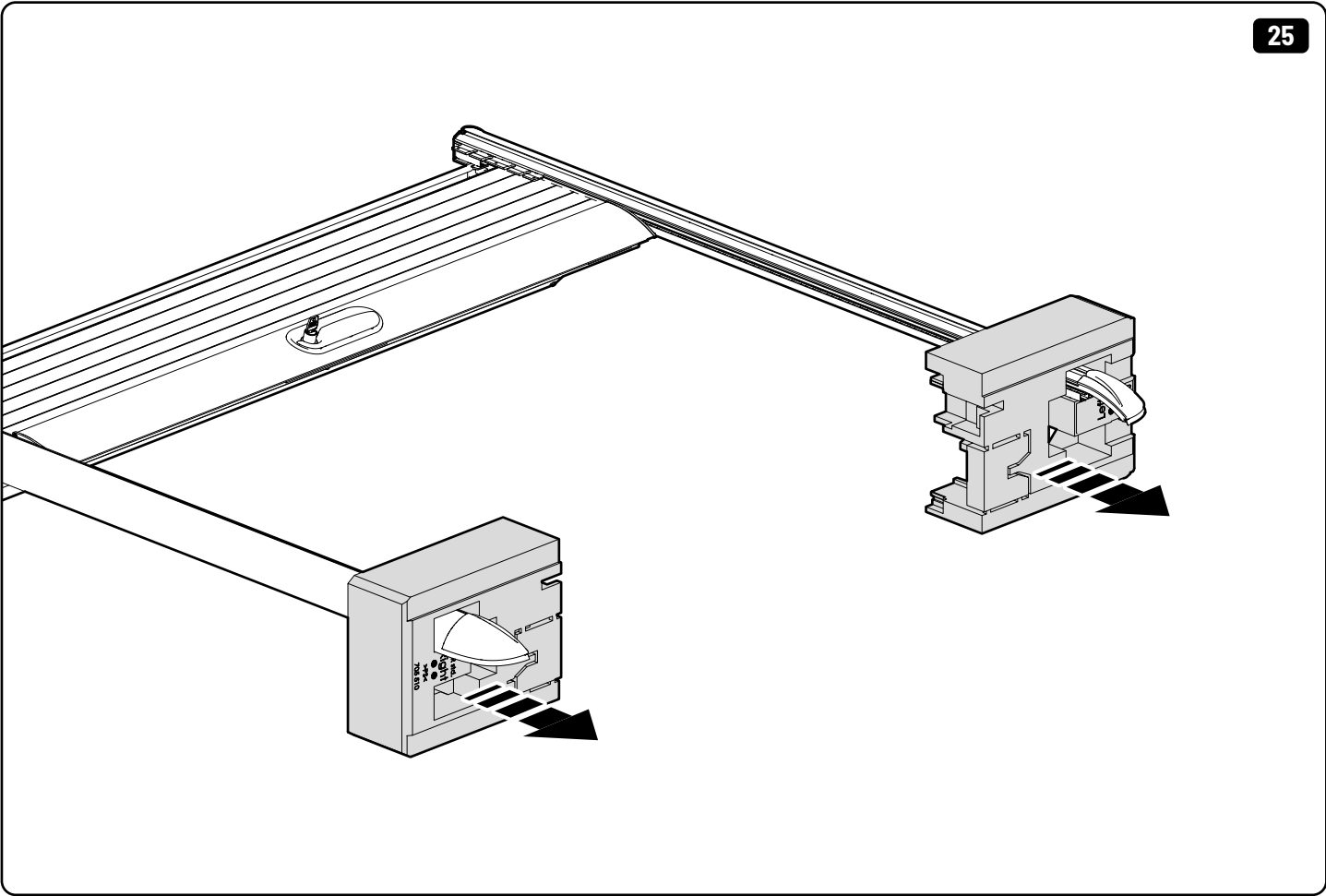
⚠️ 1 P 04 → 24 mm → ⚠️ 10 mm

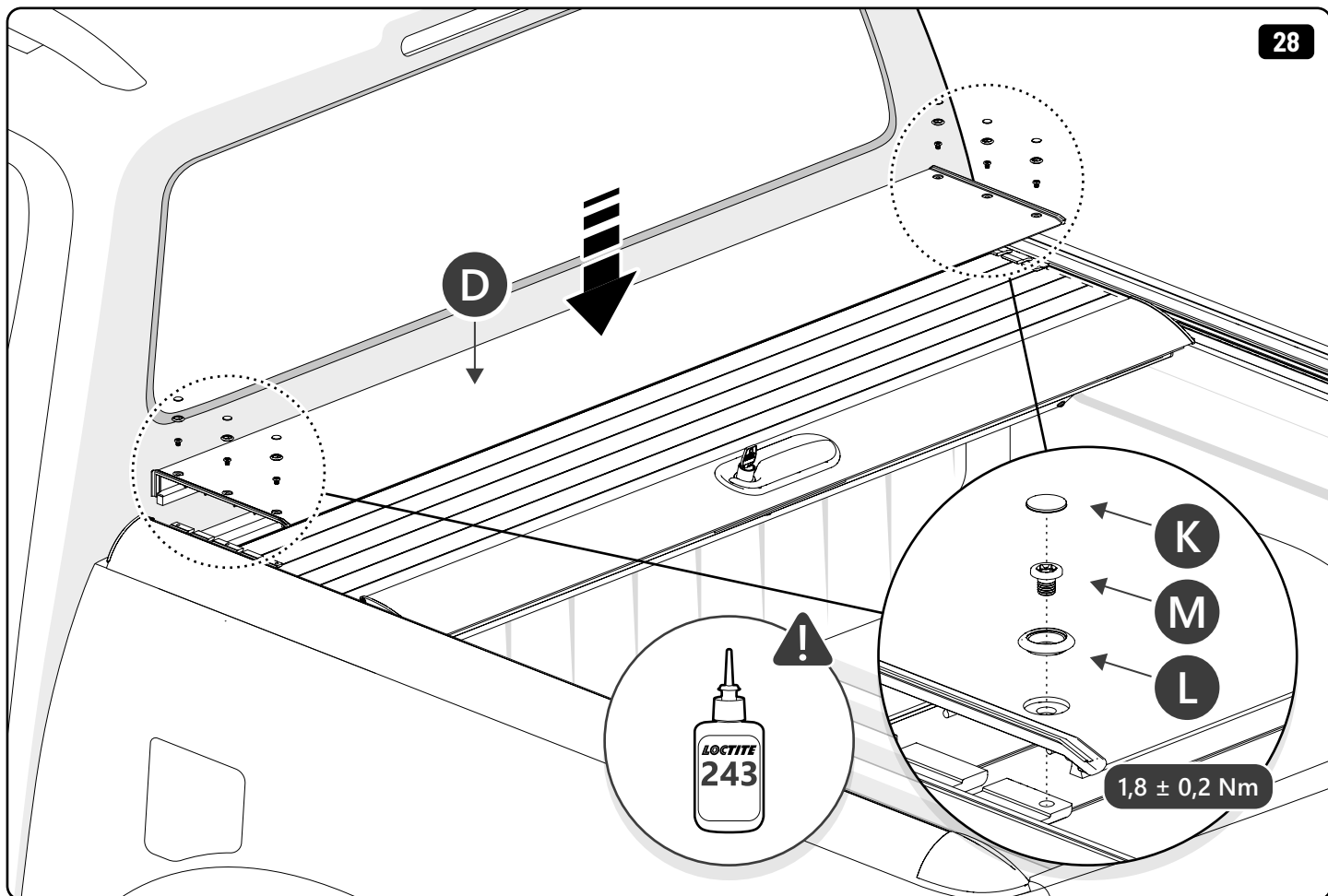
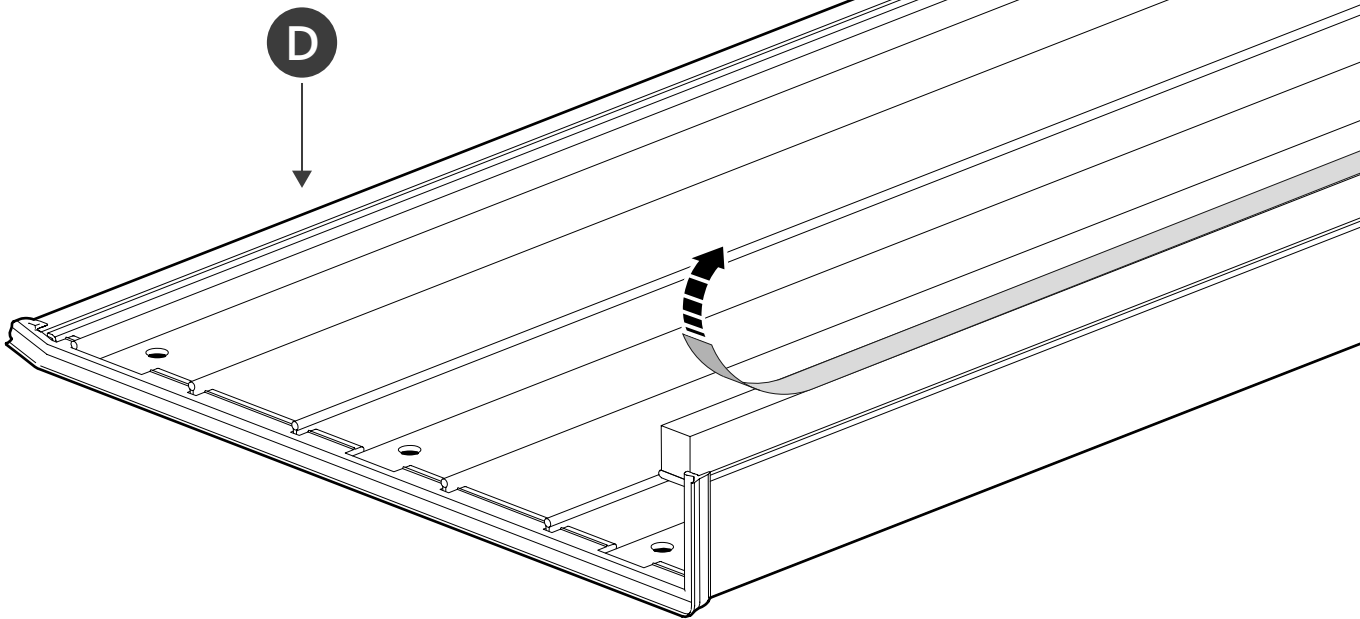


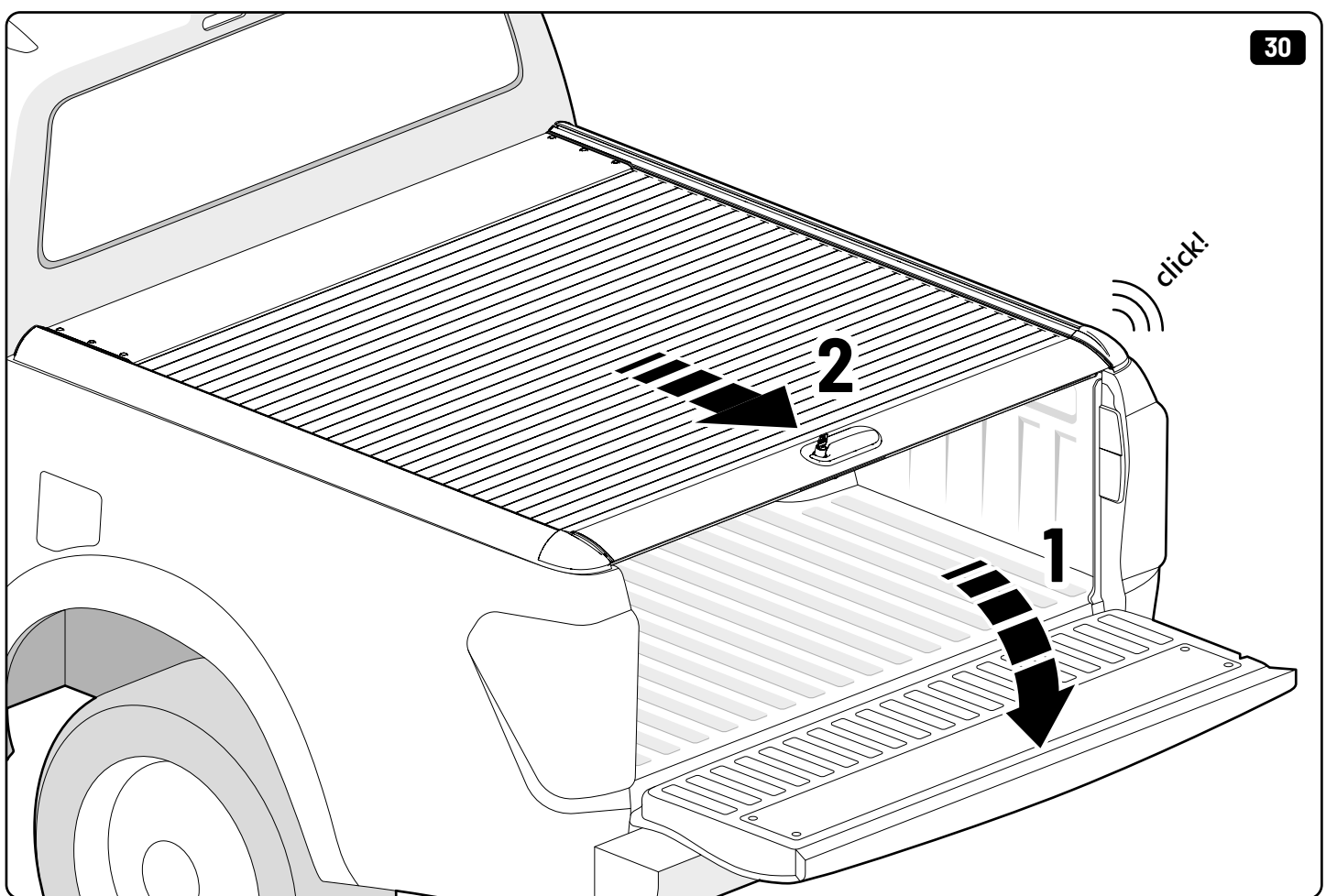
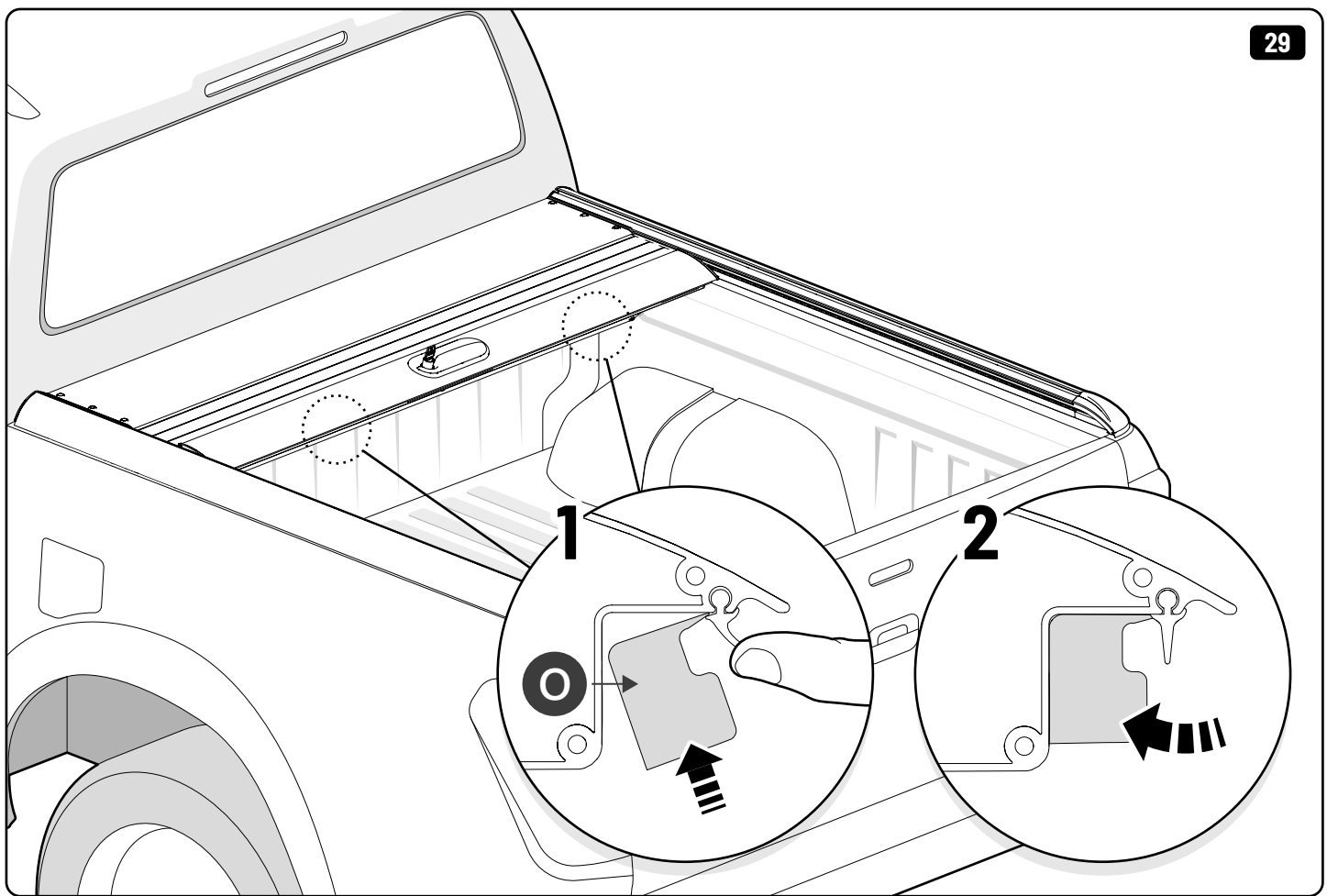
A diagram showing a 24 mm drill bit and a 10 mm hole. A warning triangle is placed above the 10 mm hole. Arrows indicate the flow from the bit to the hole size.



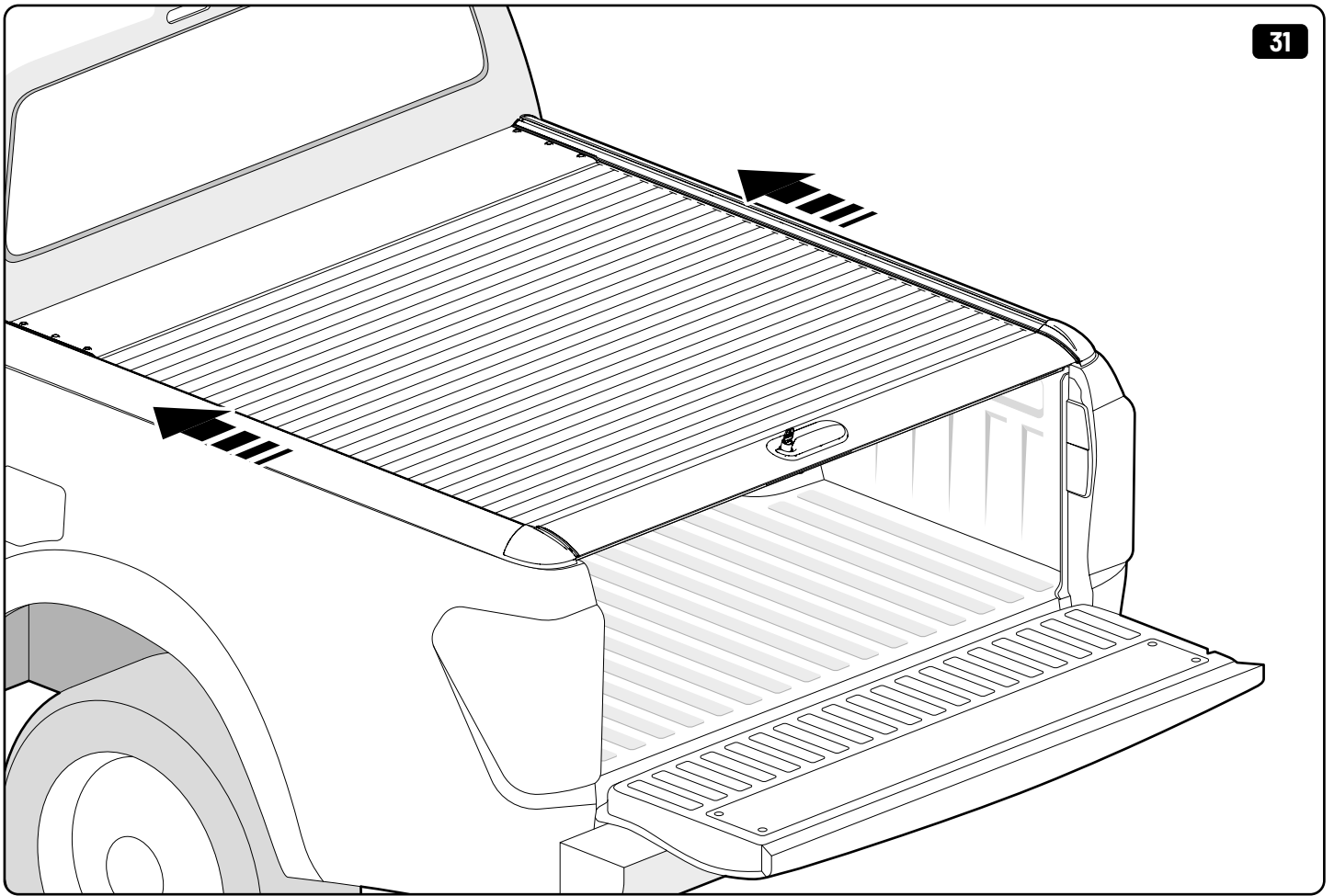




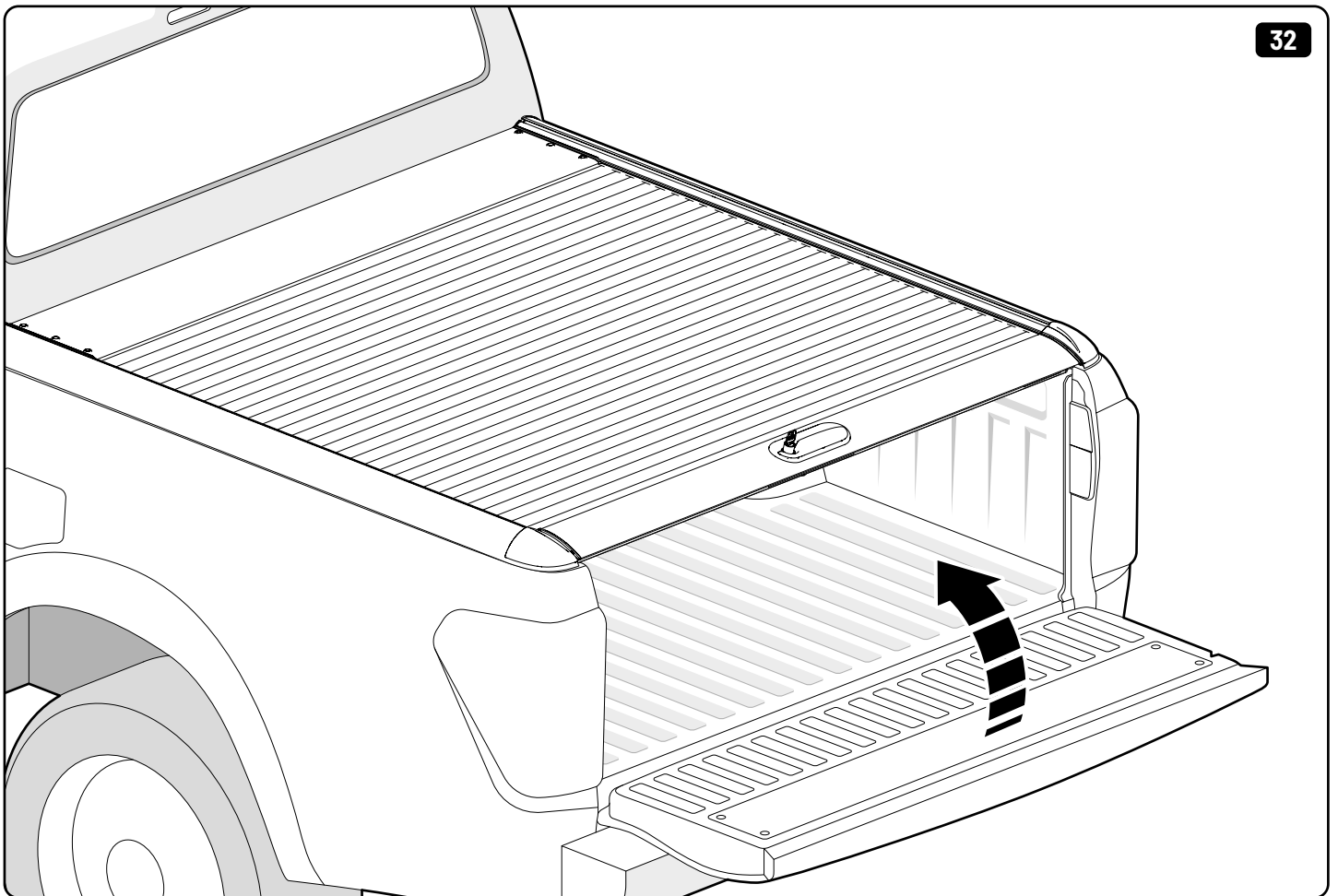


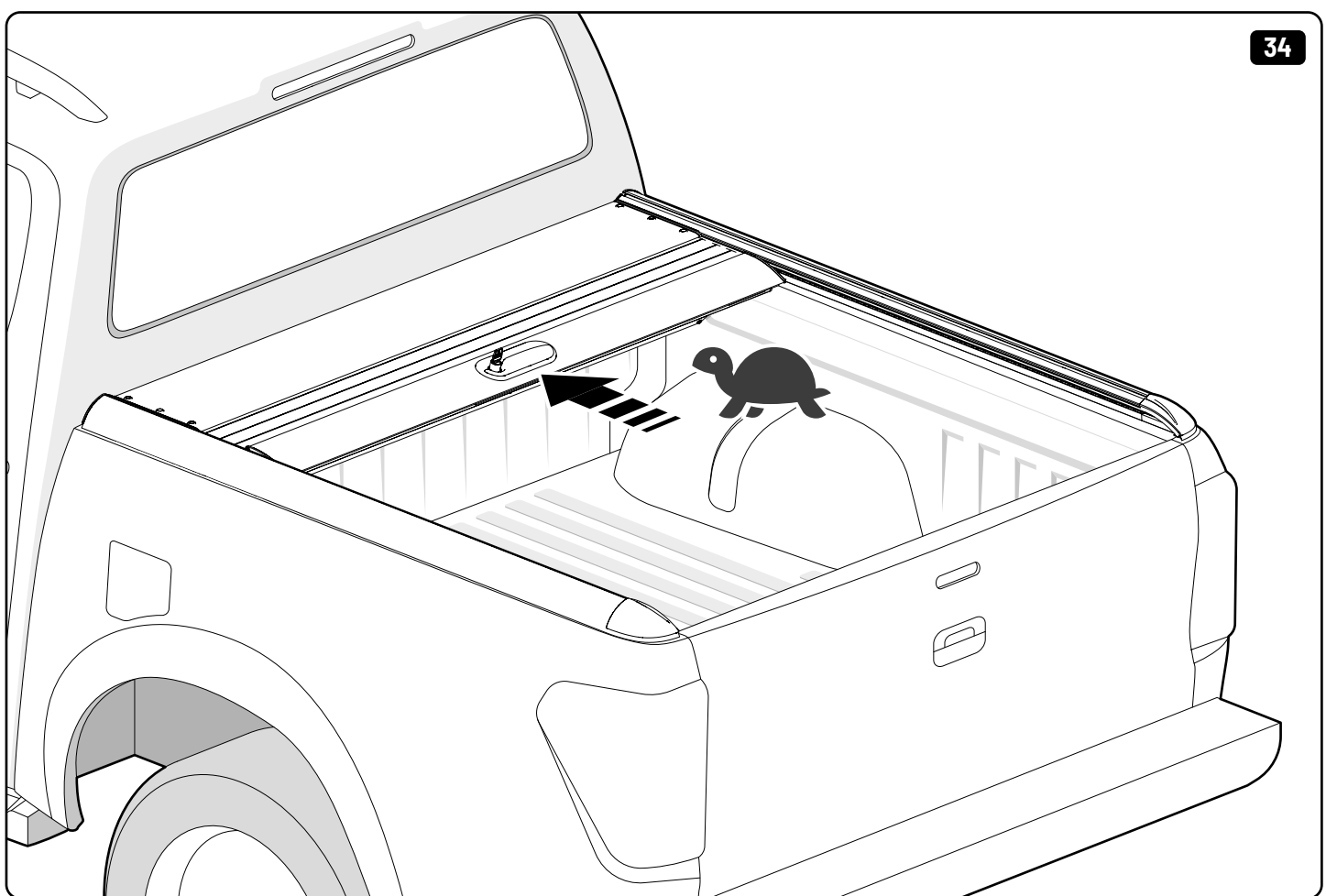
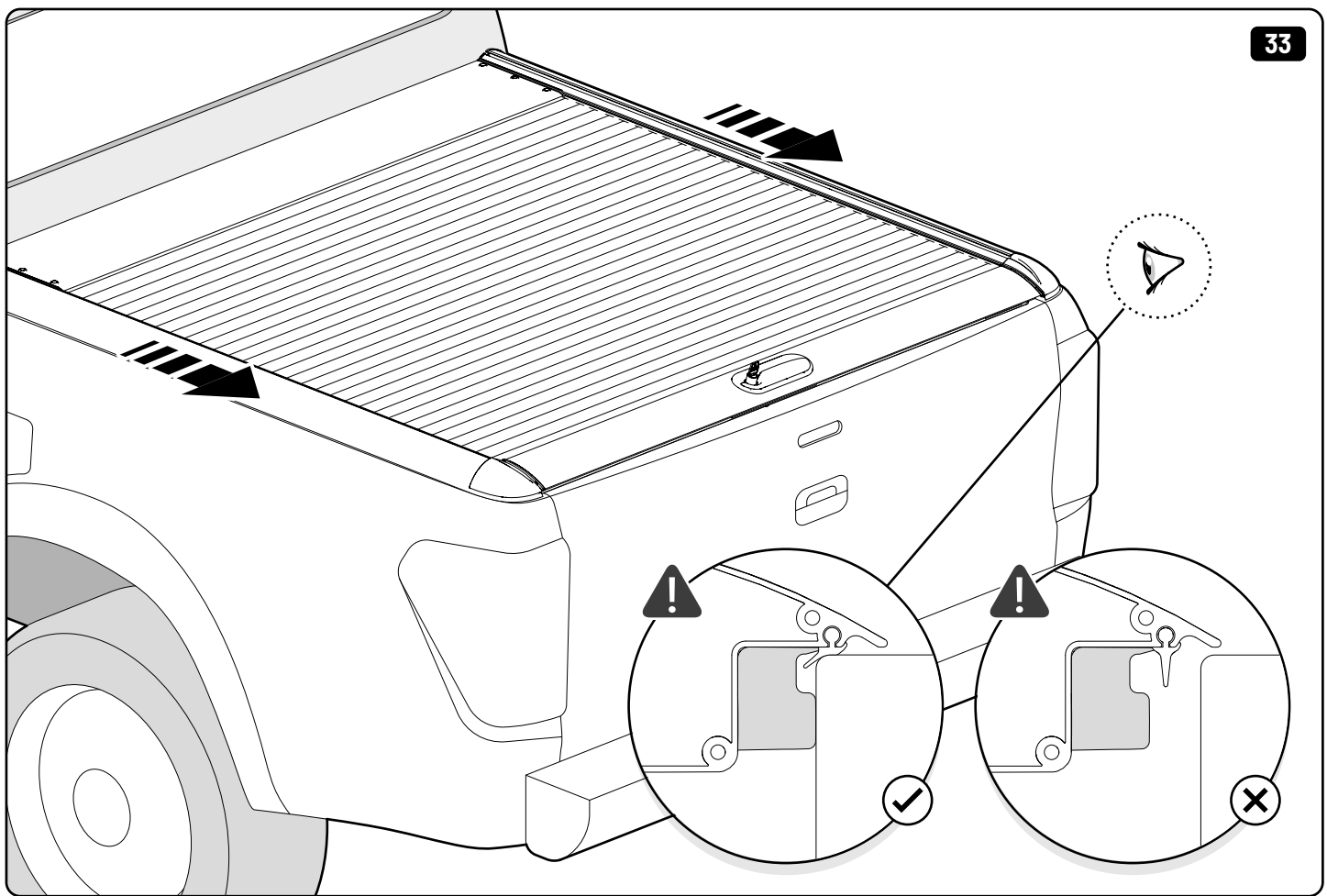


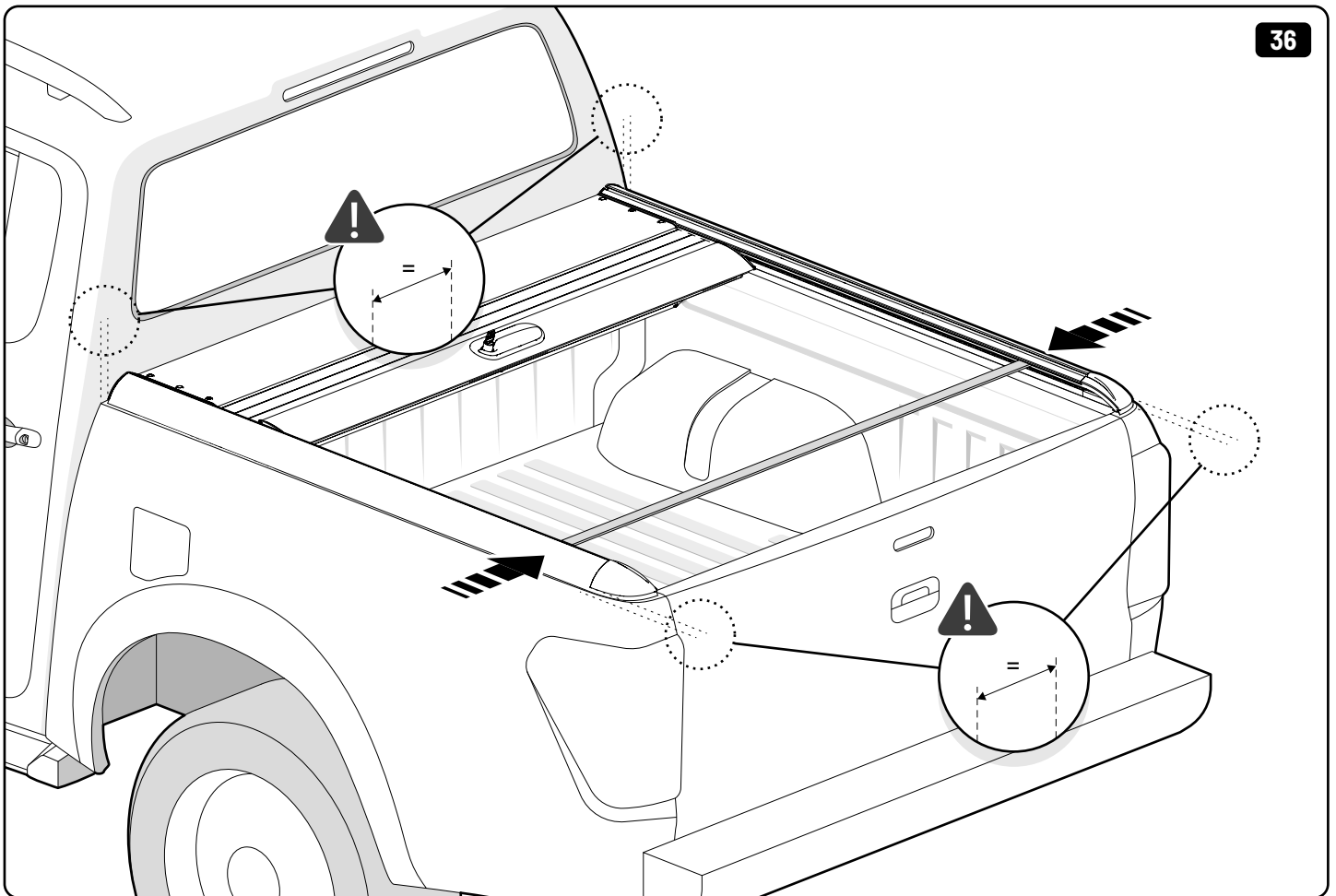
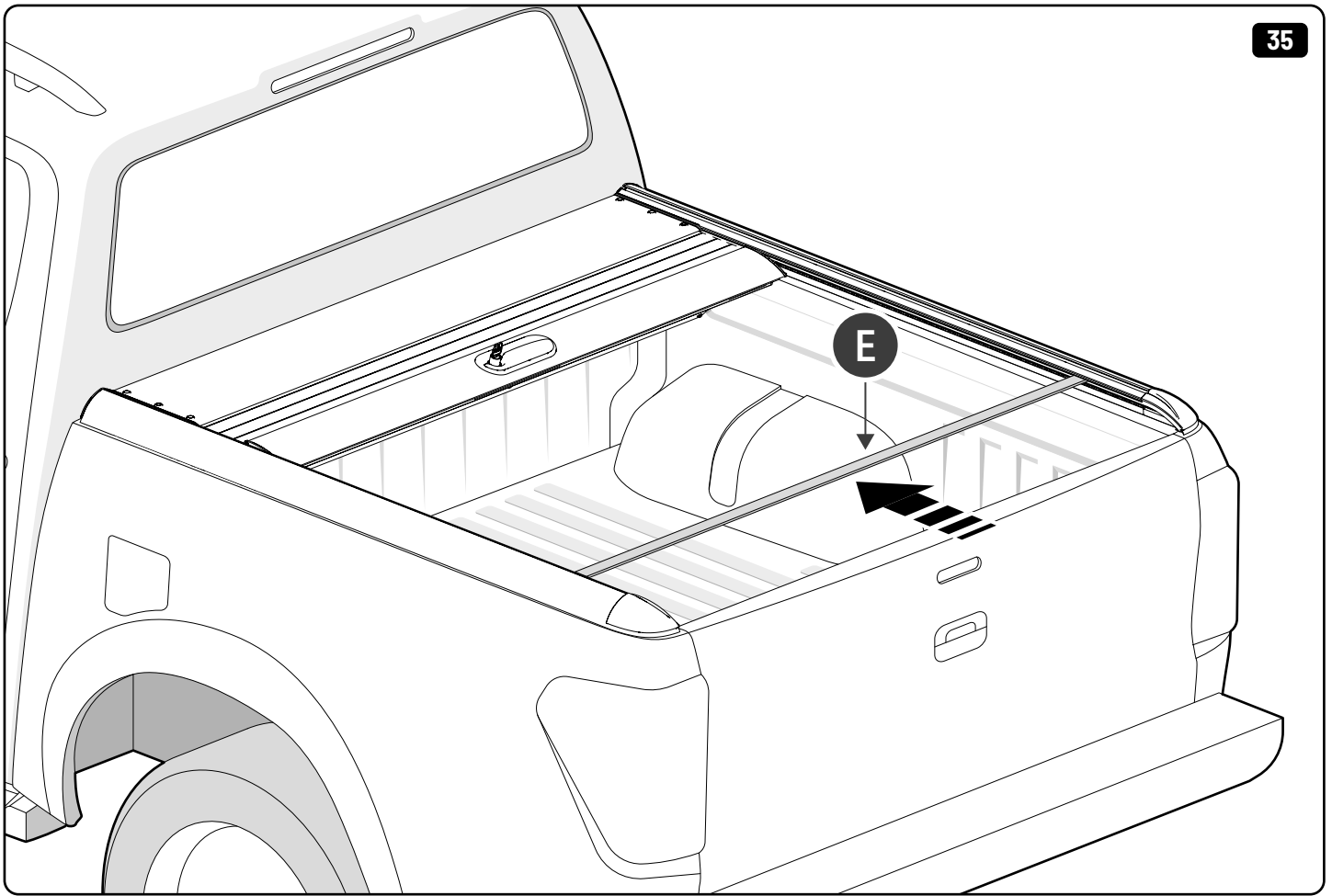
31



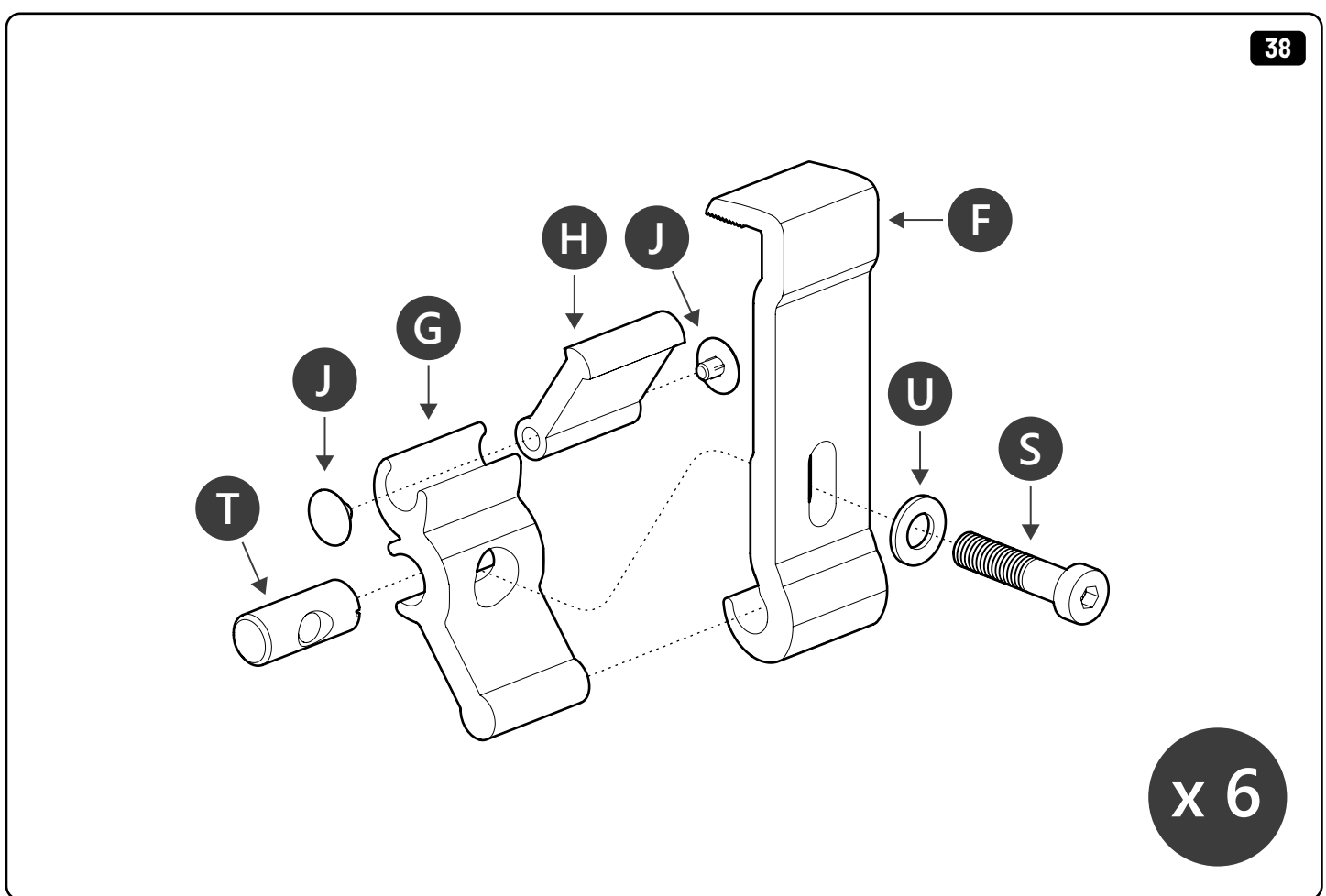
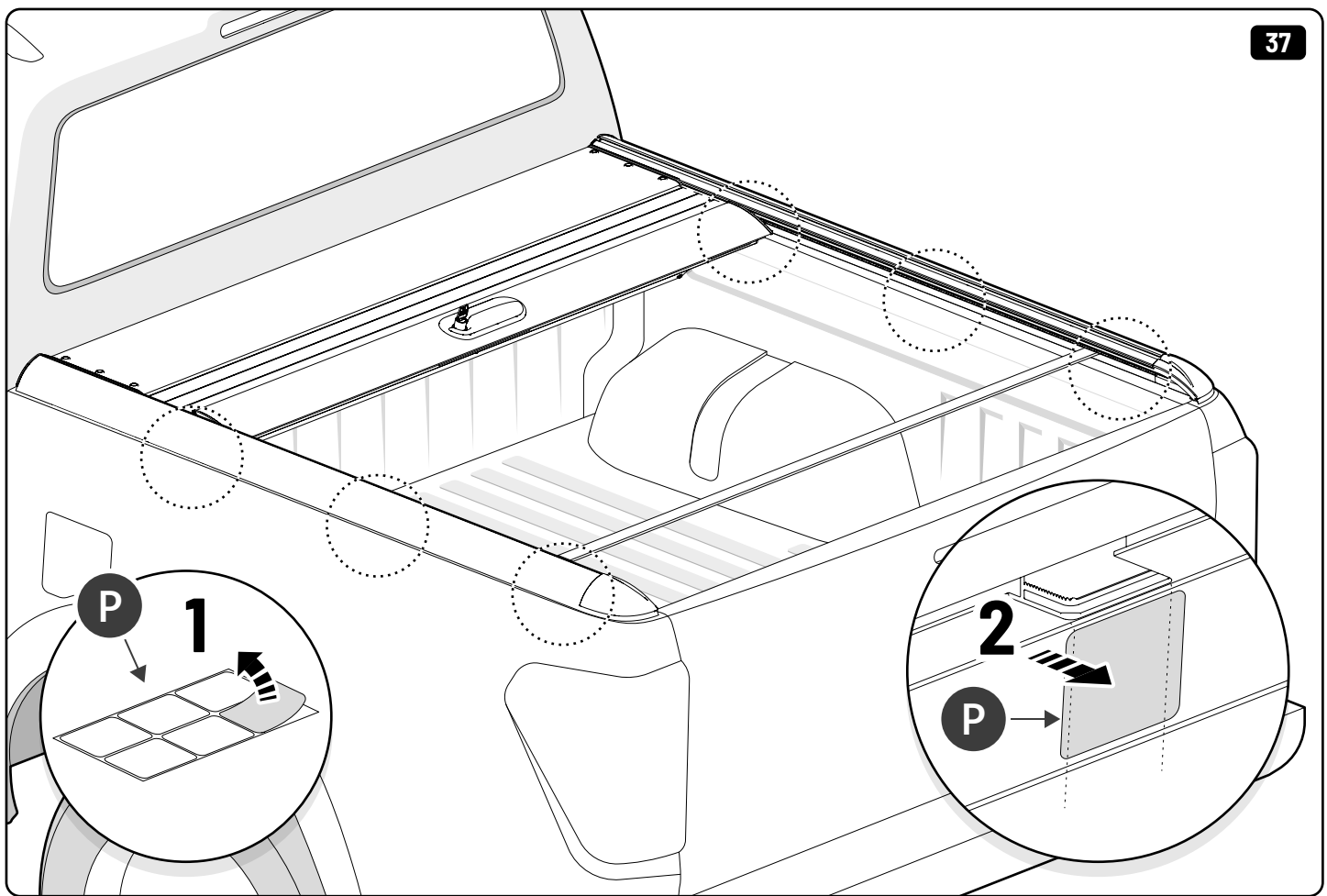
32

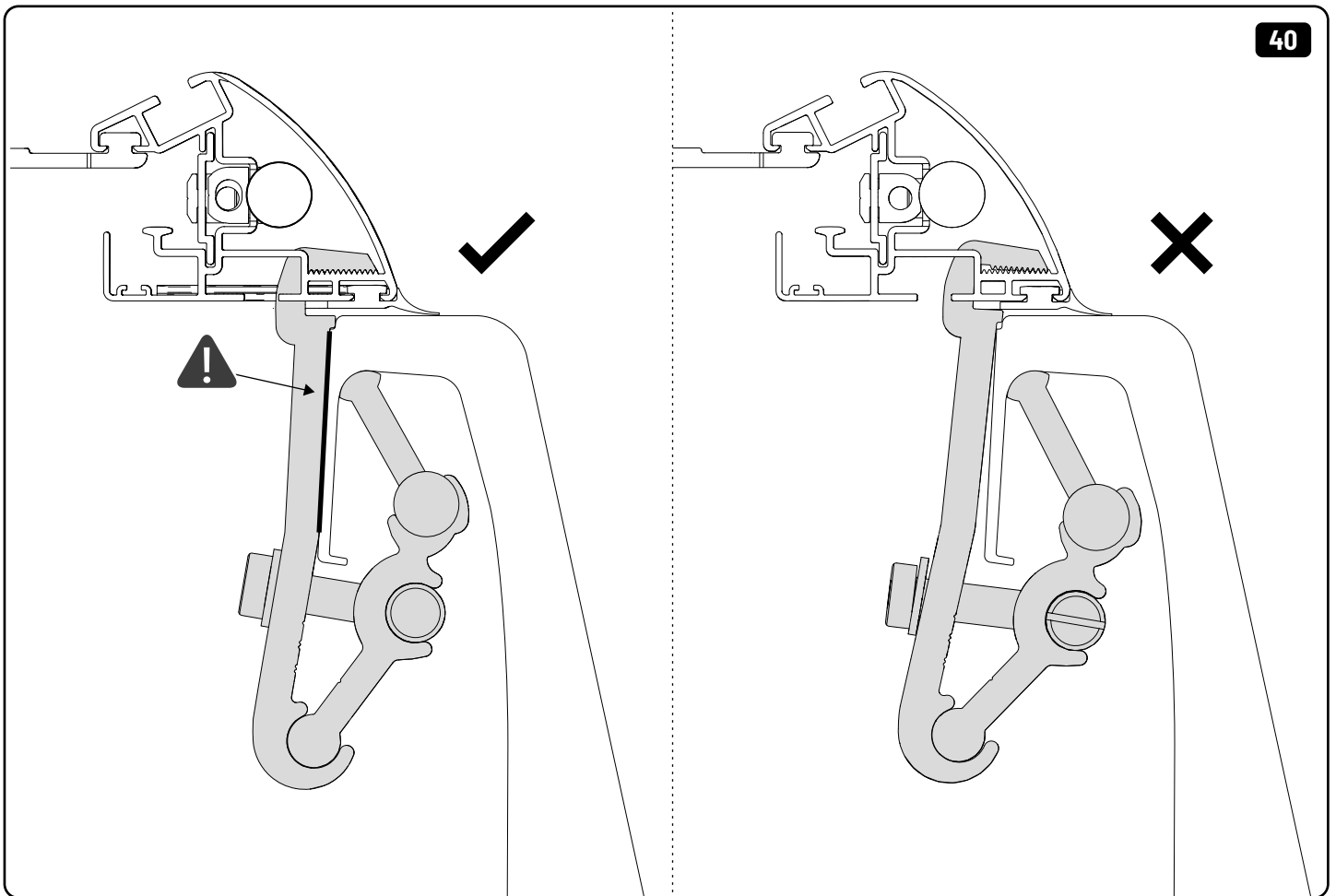
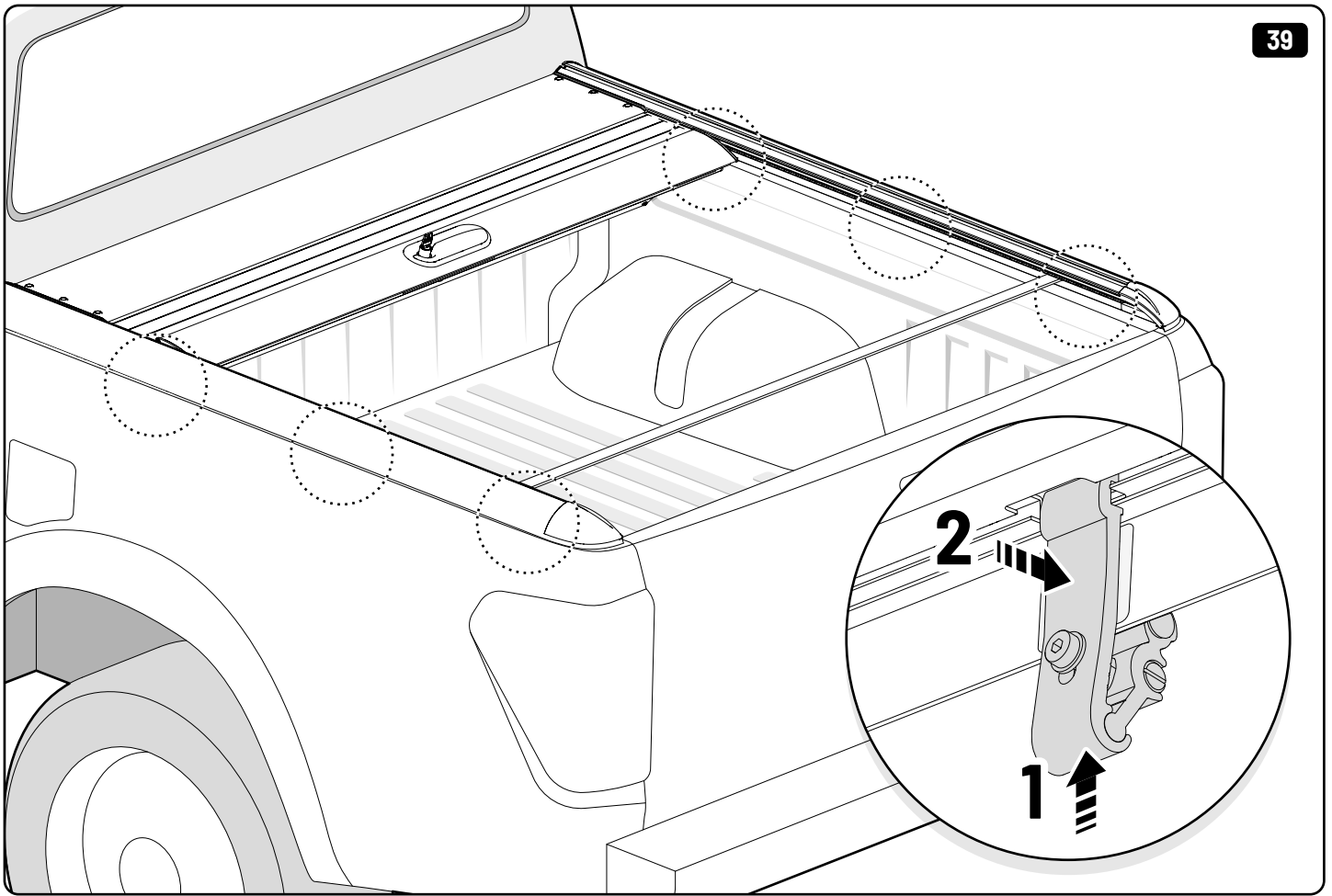




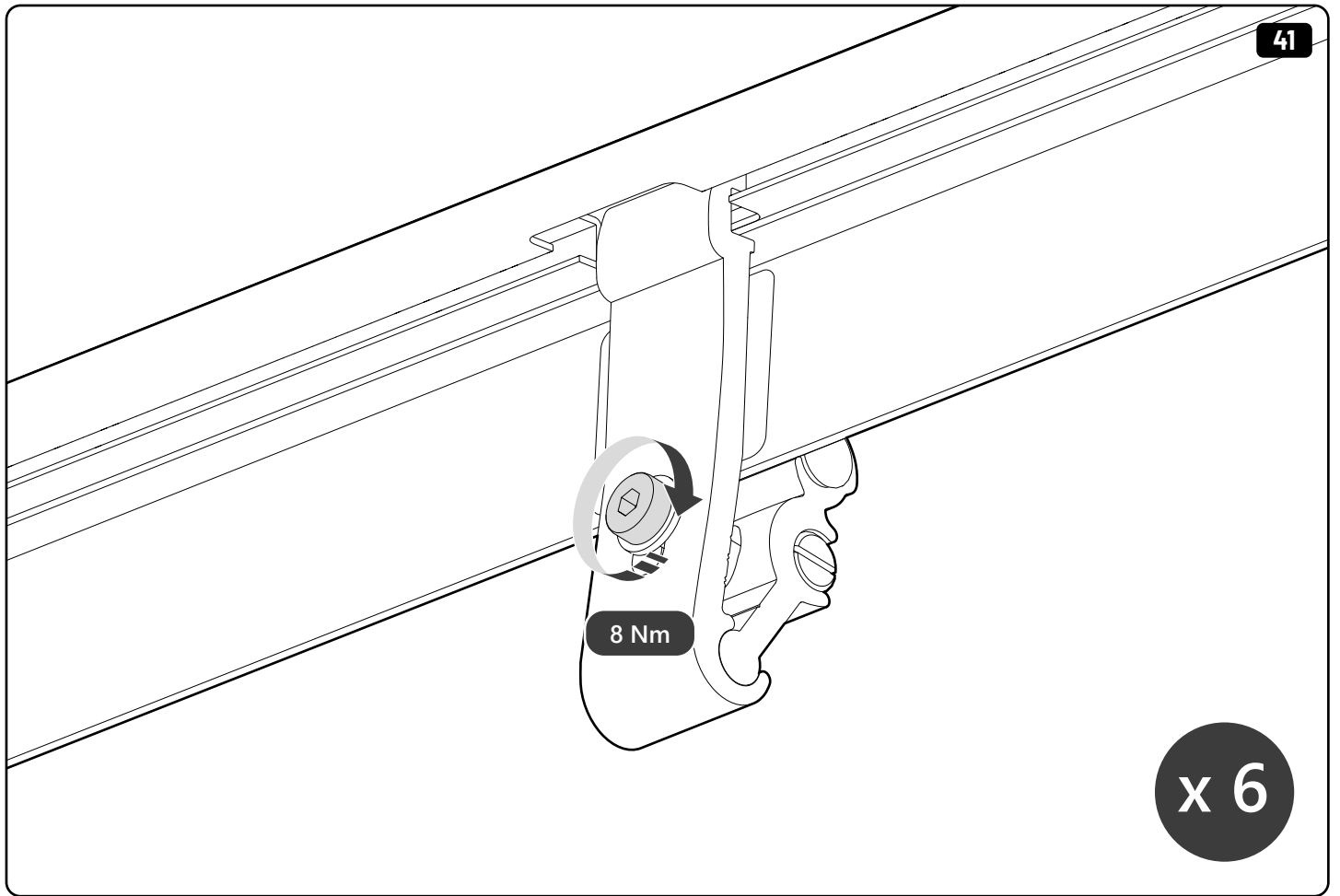




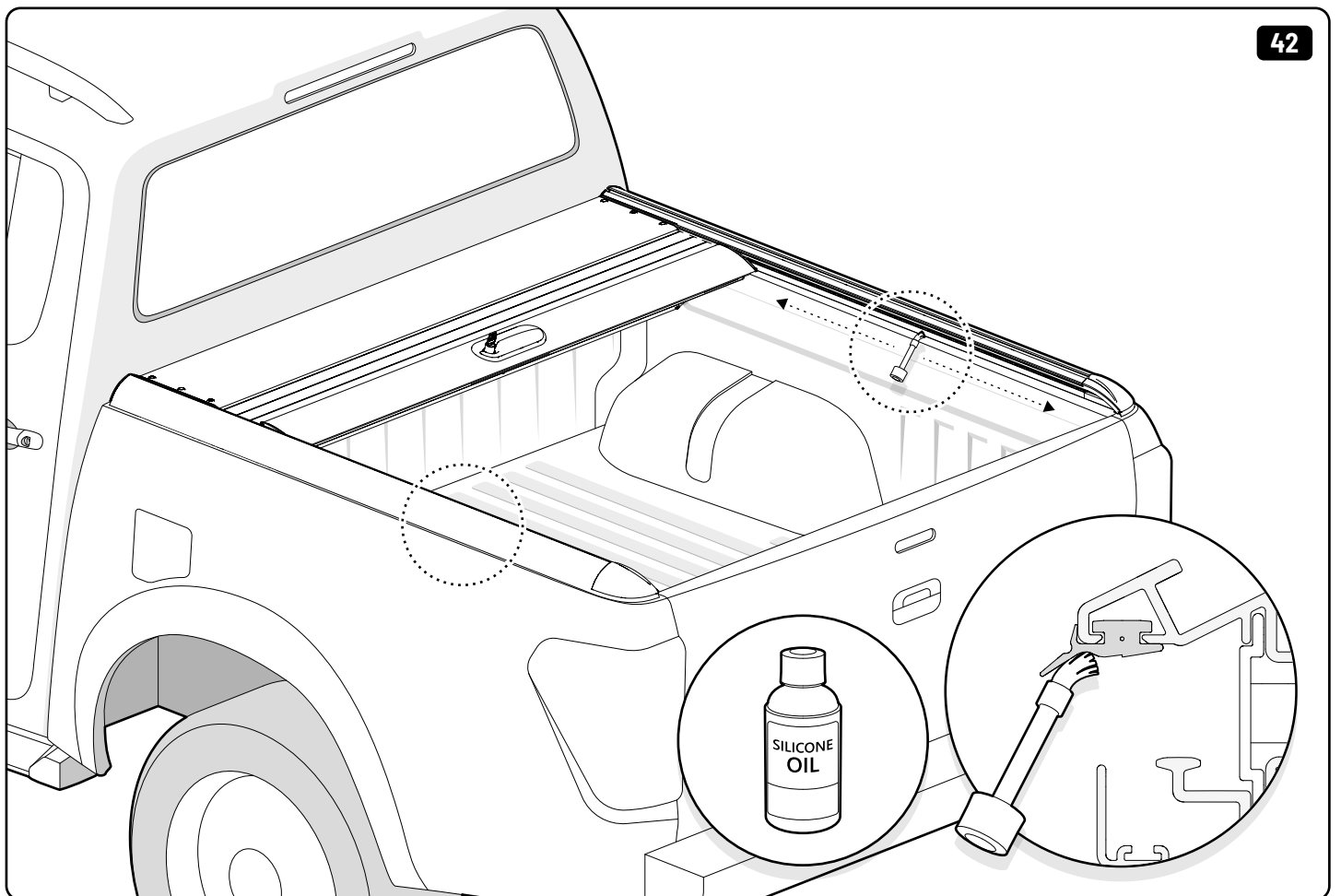


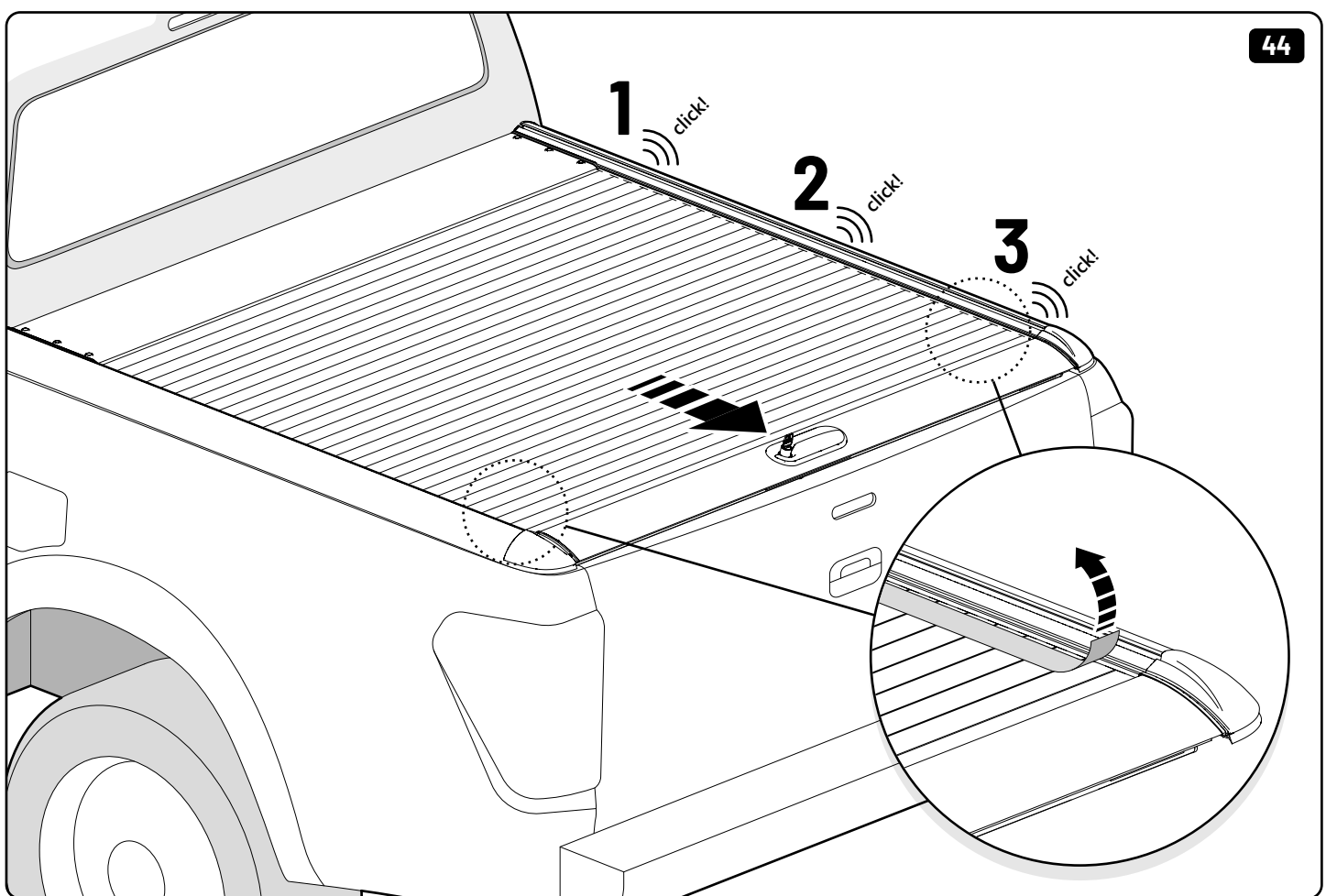
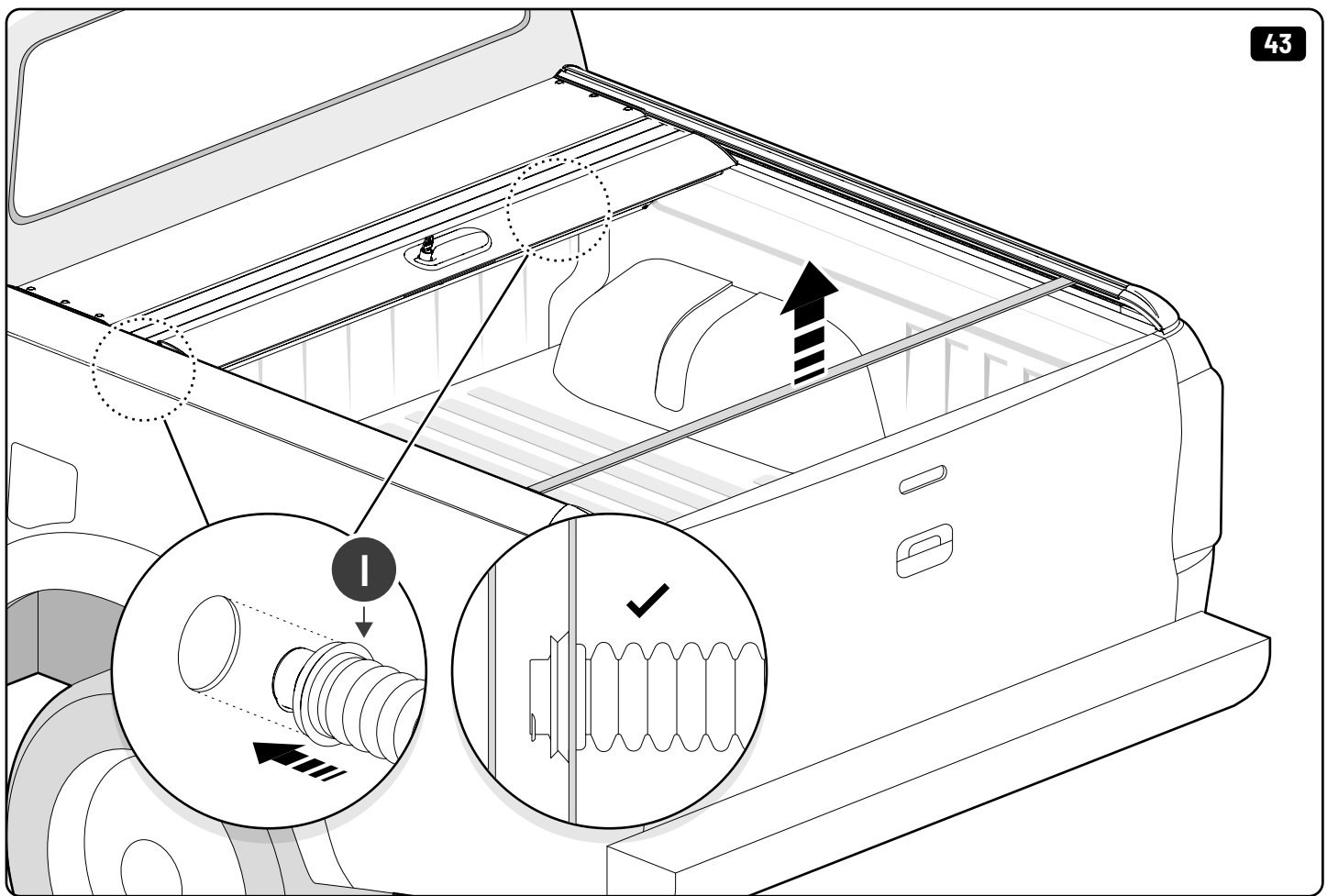


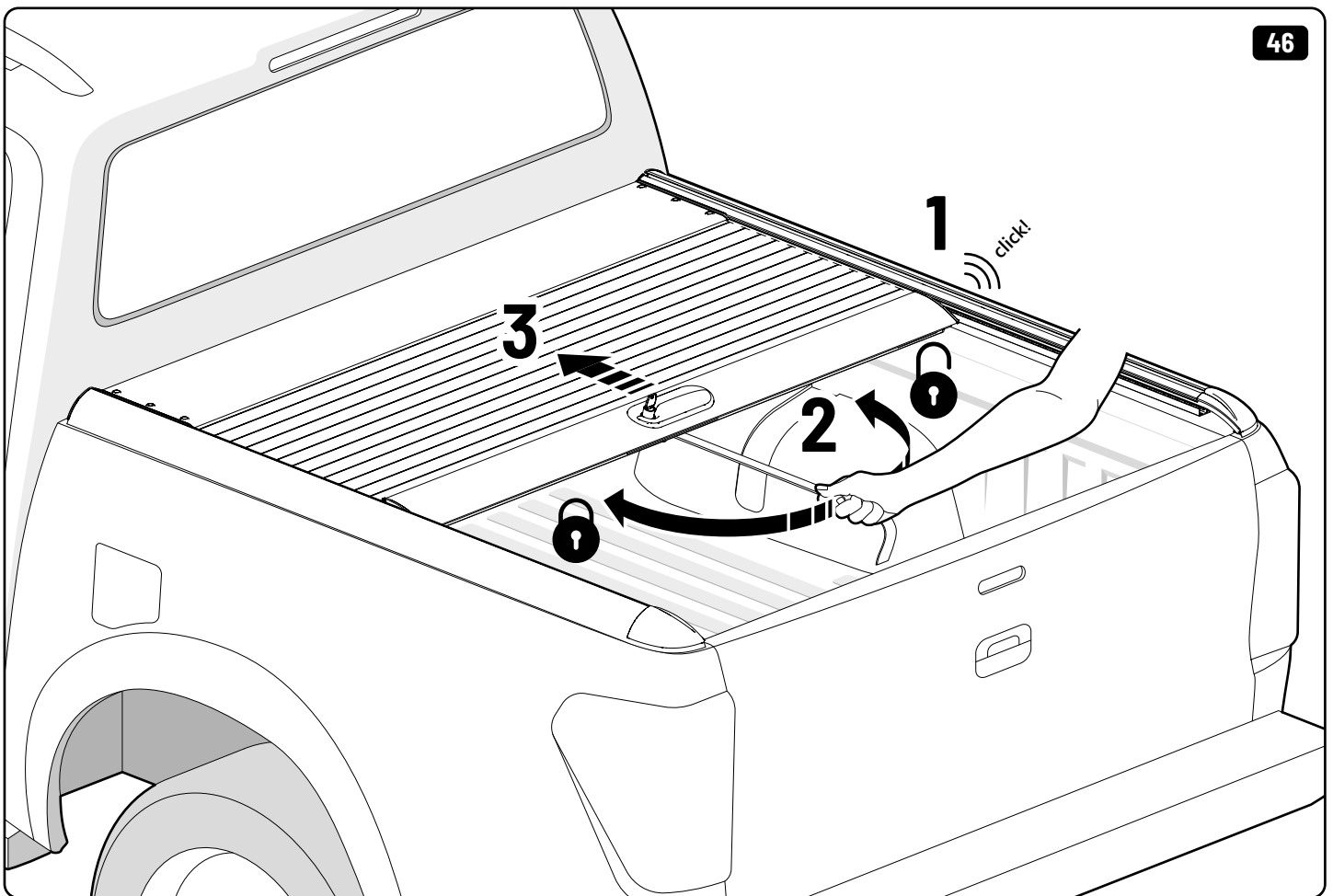
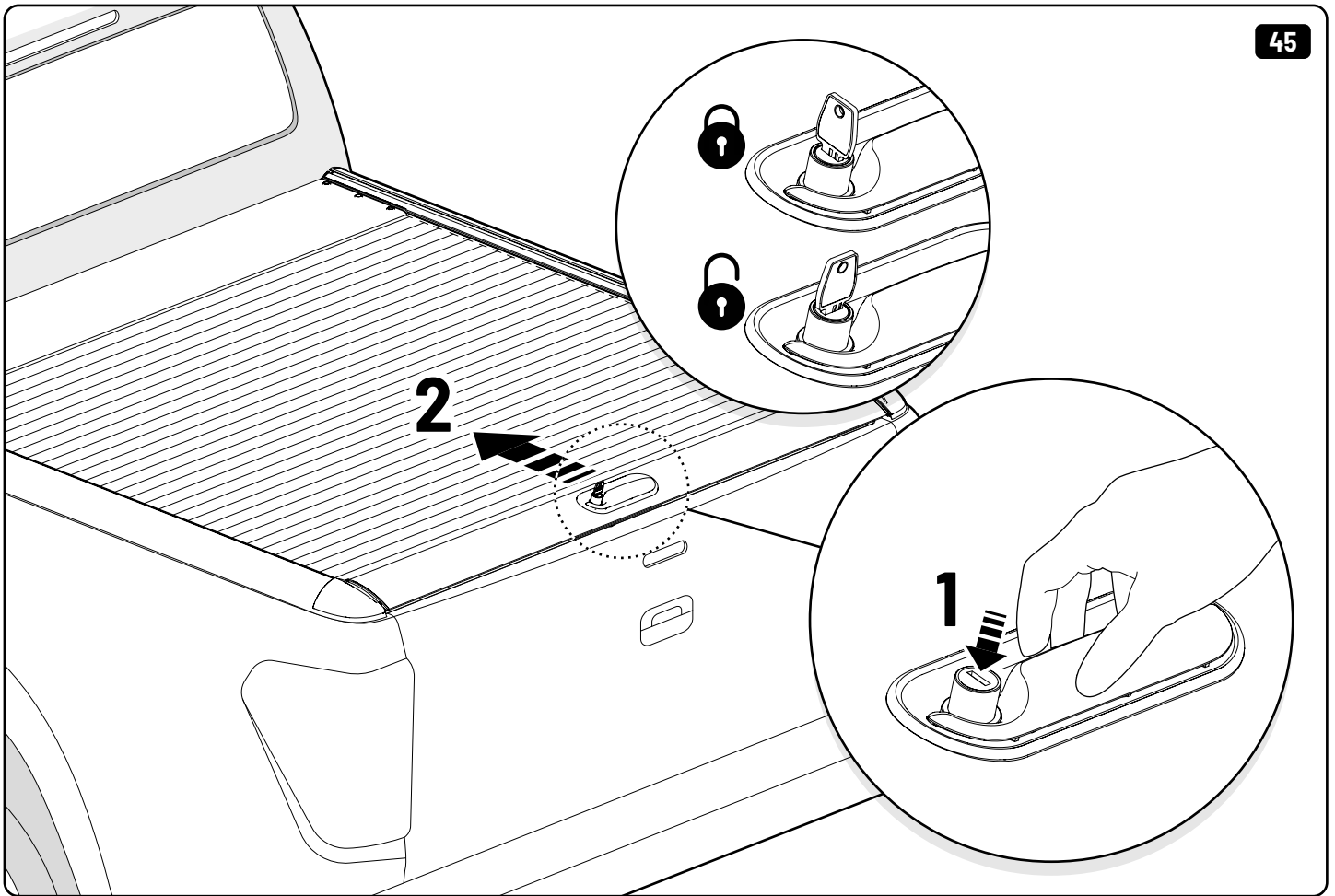
41

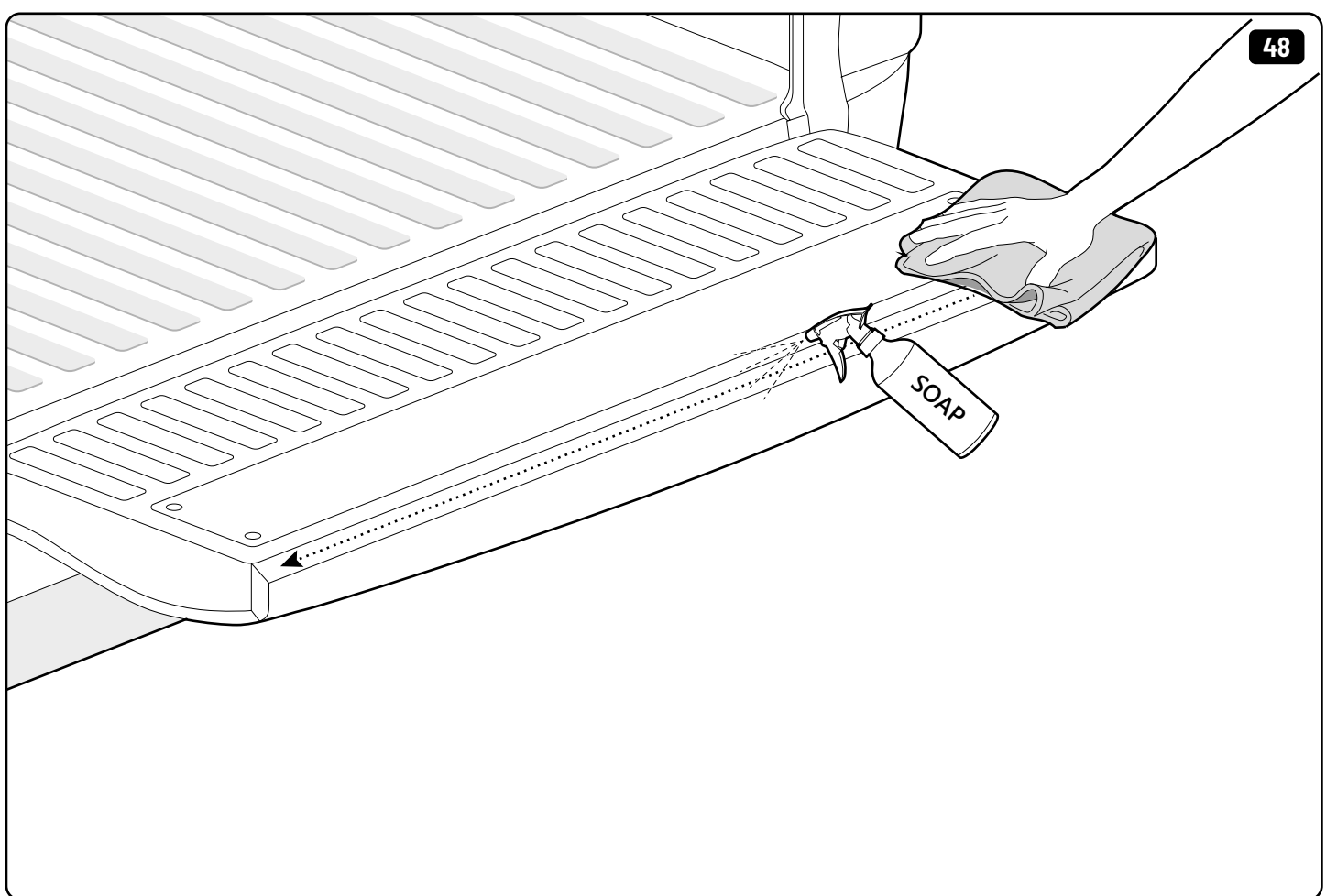
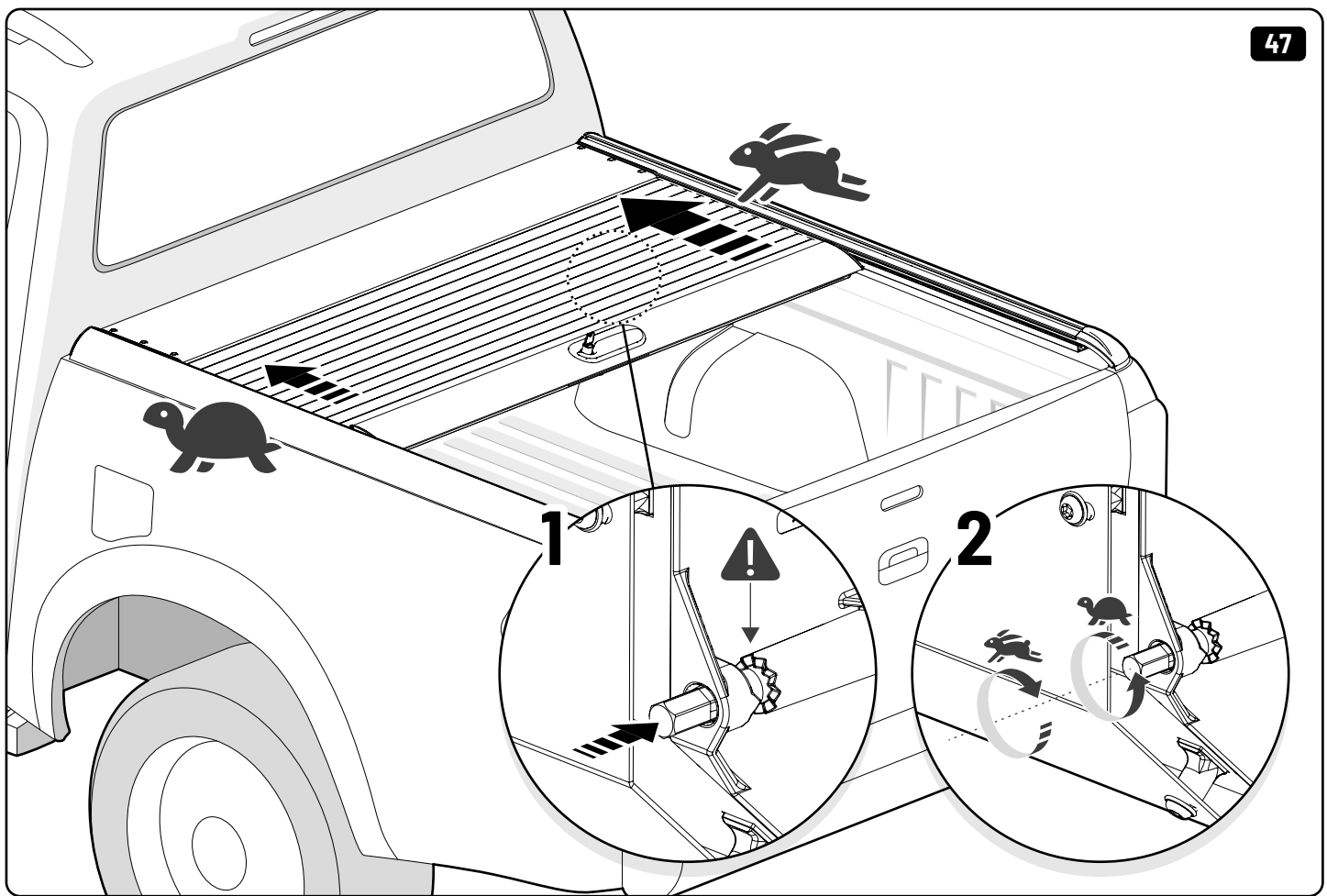


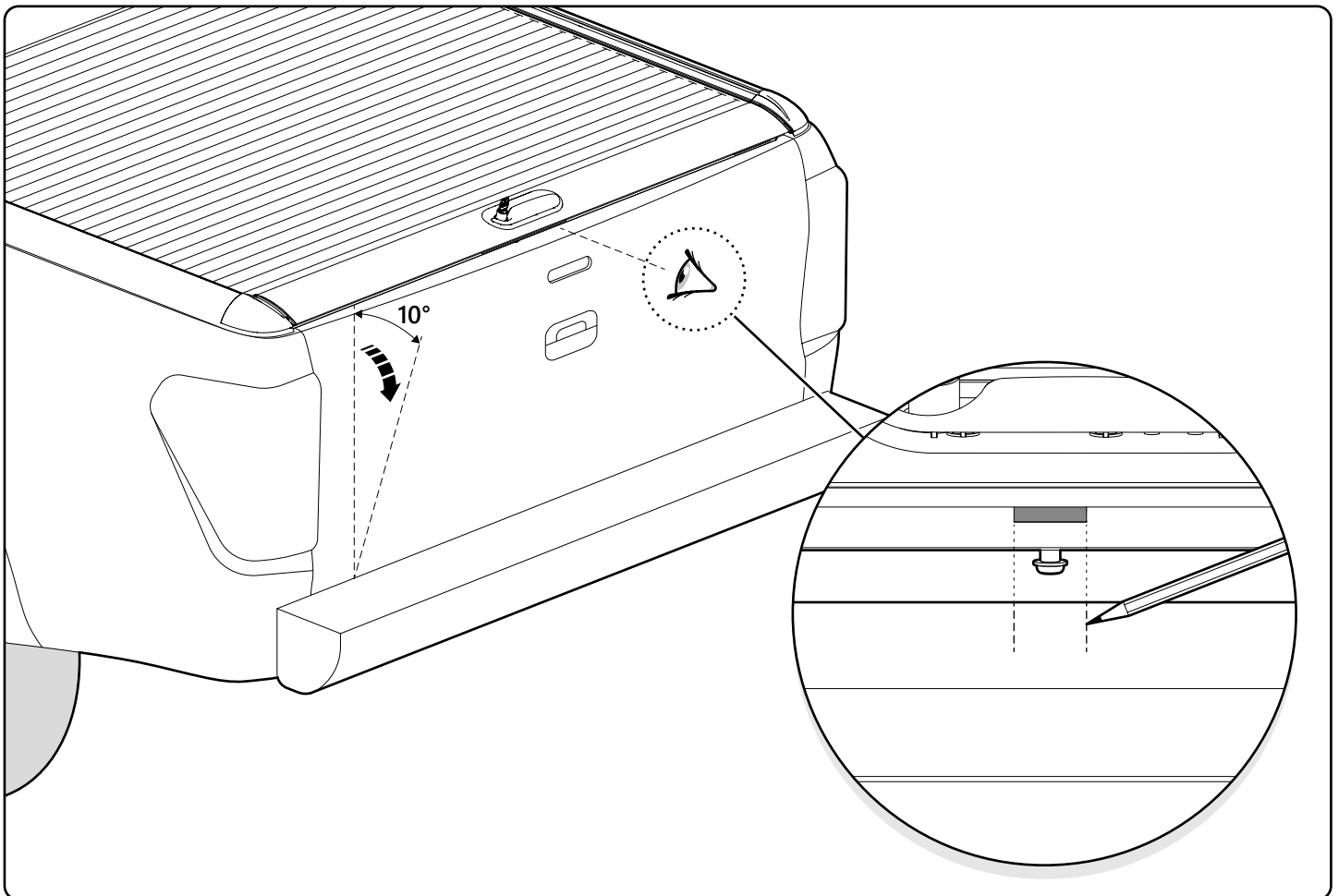
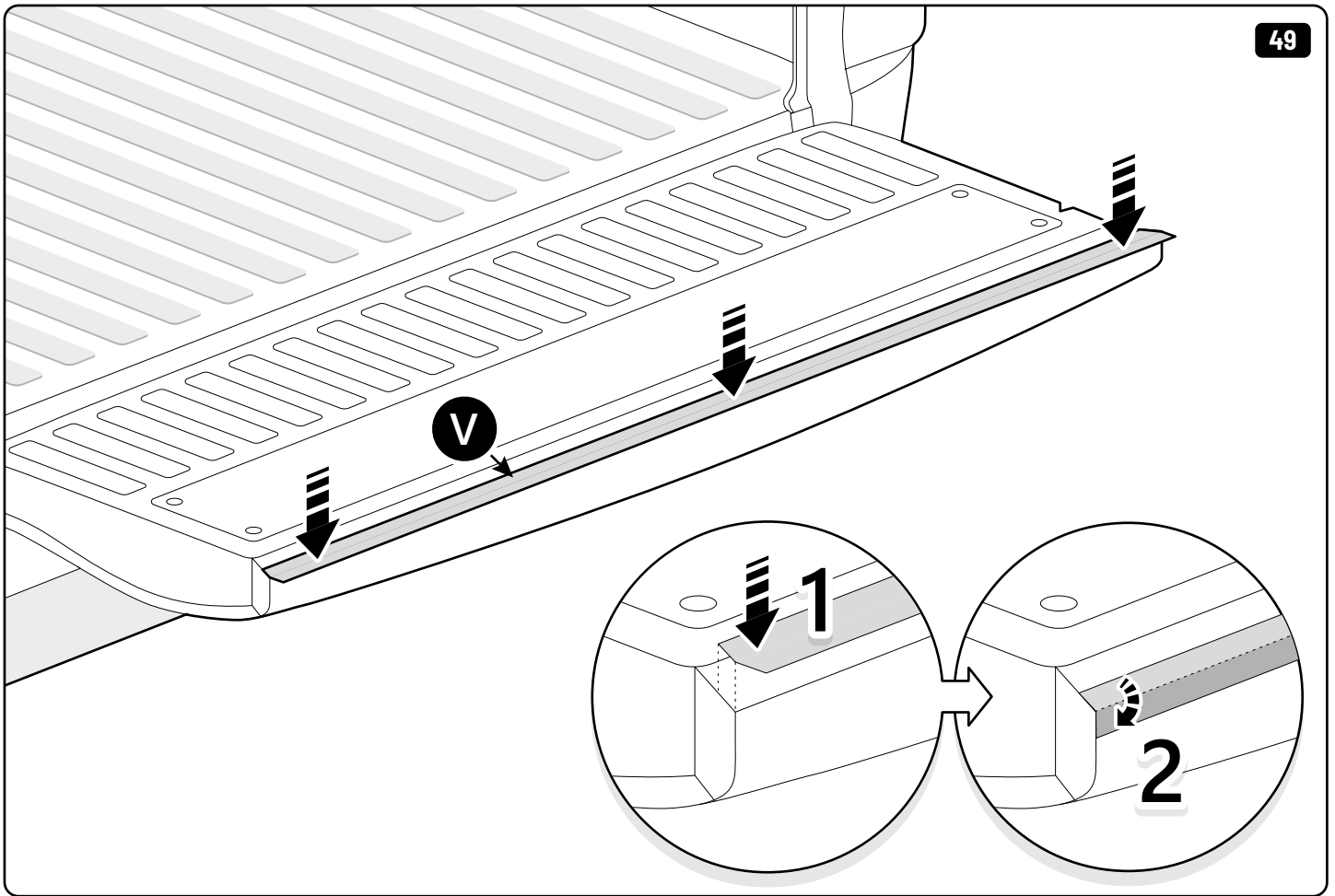
42

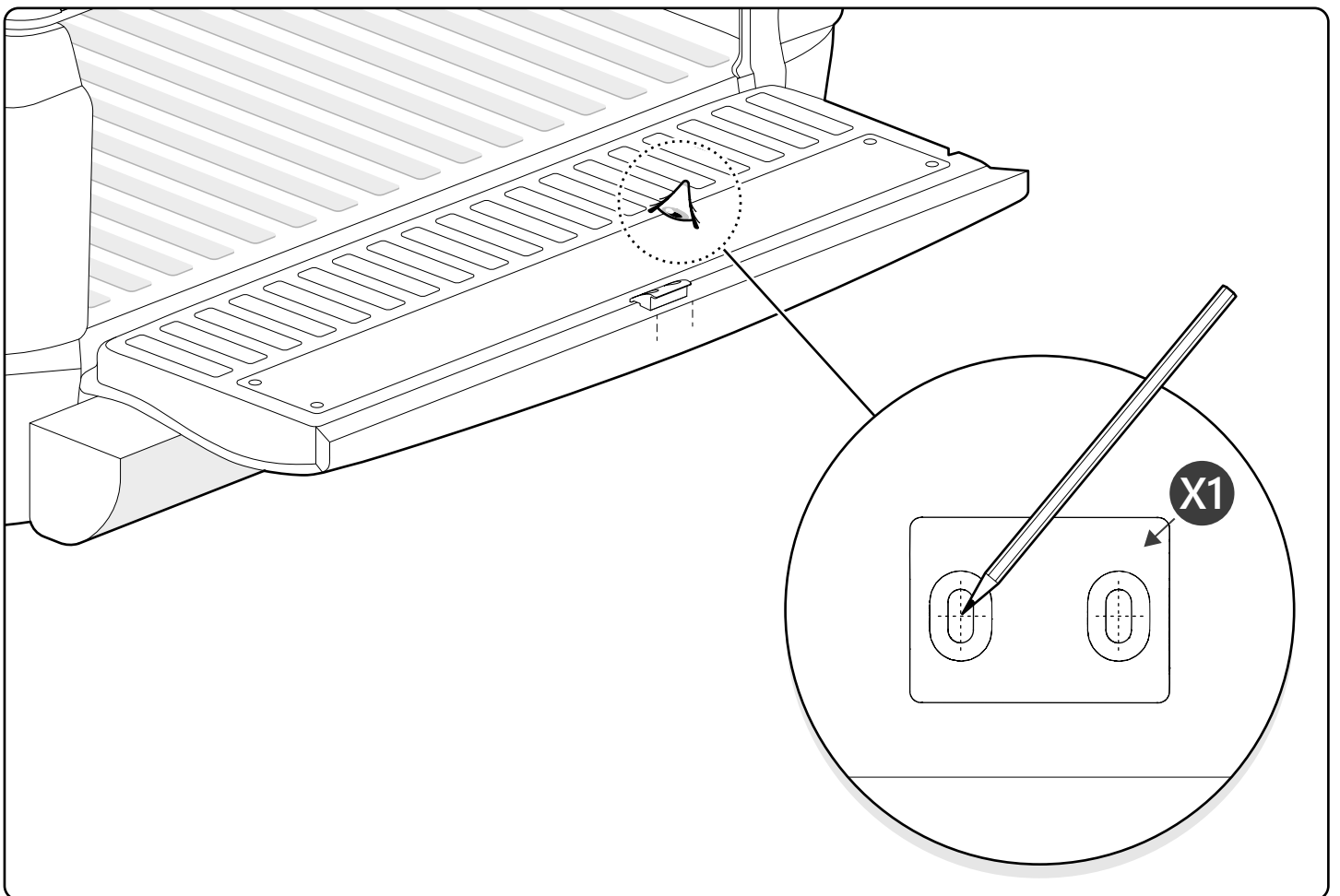
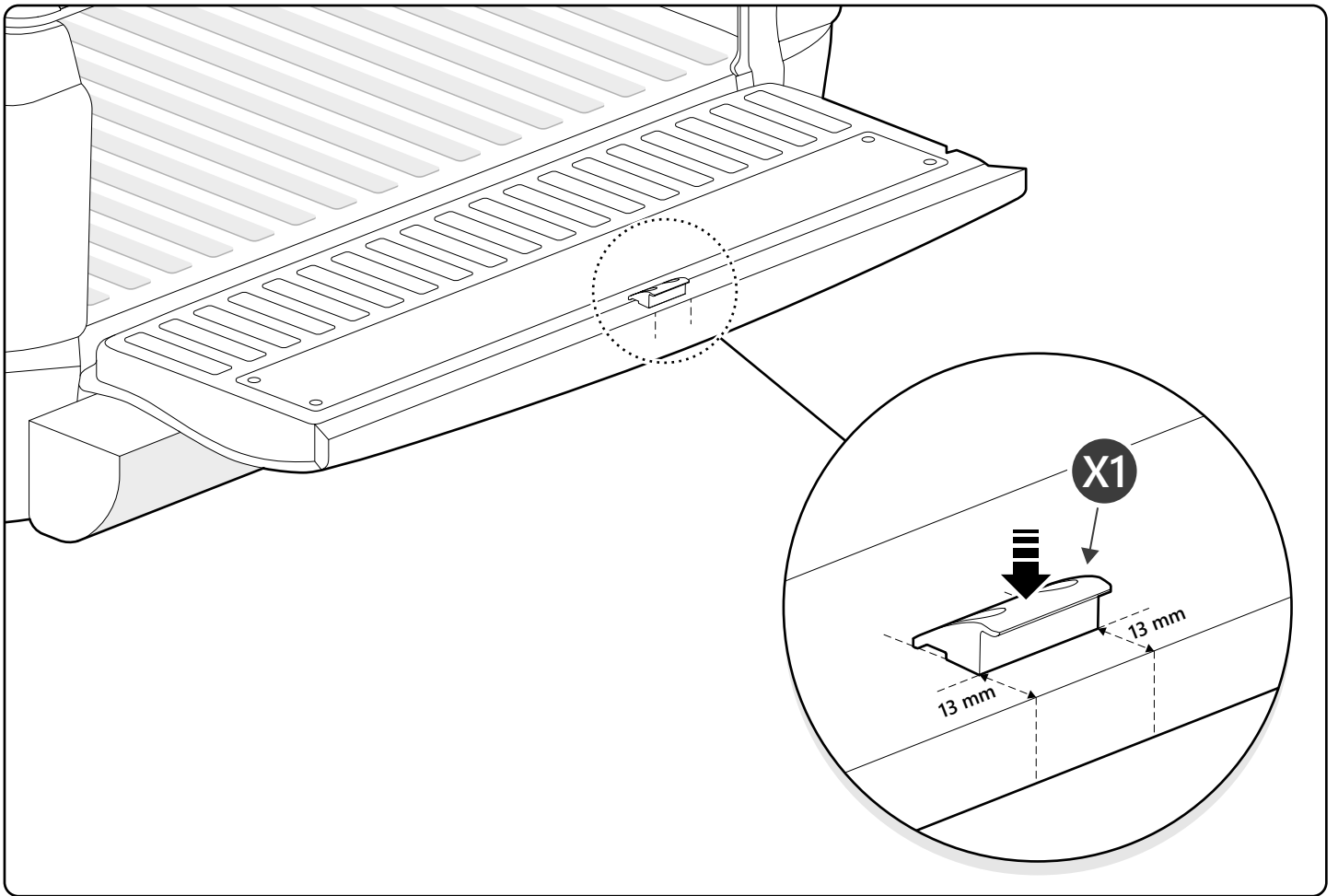




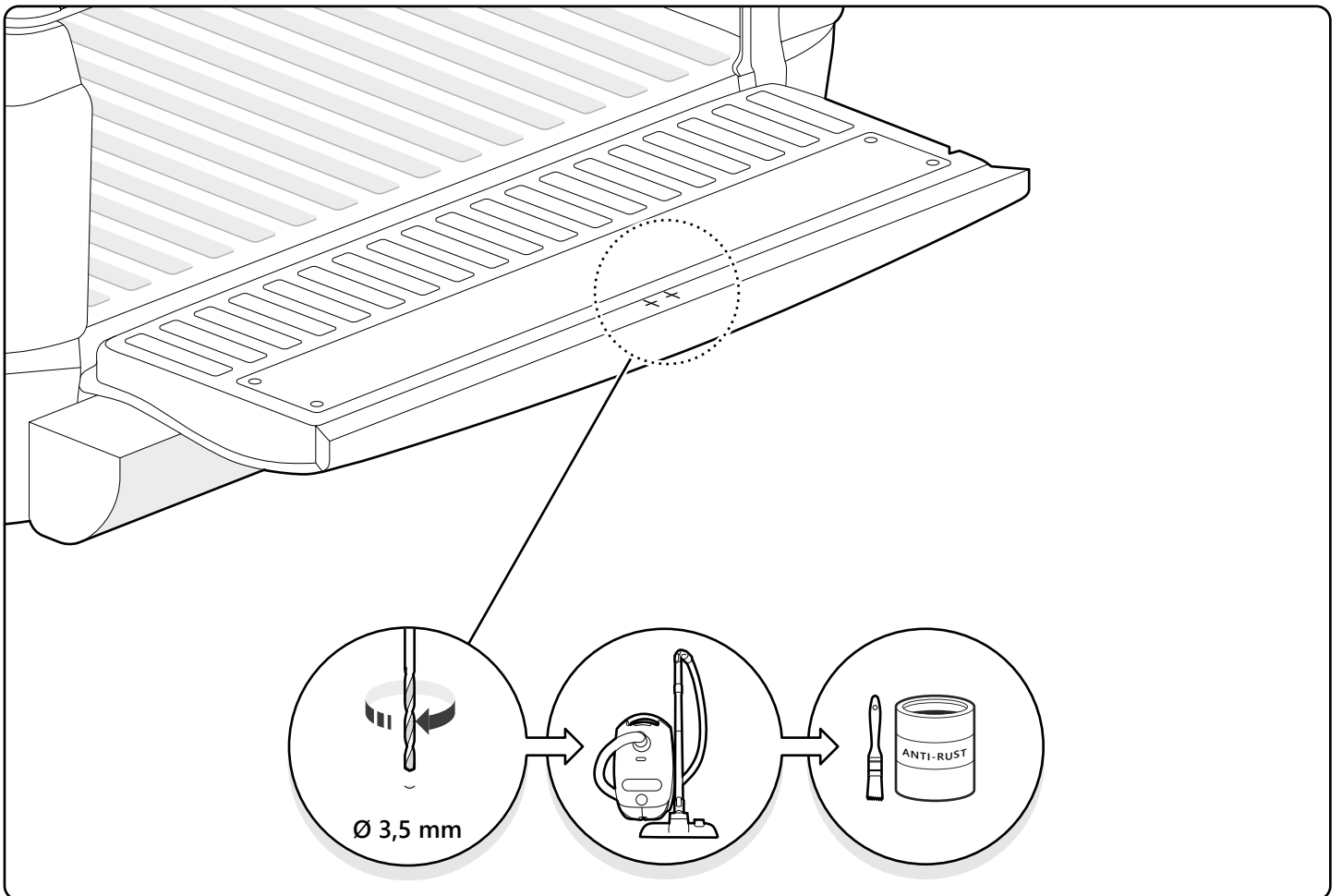
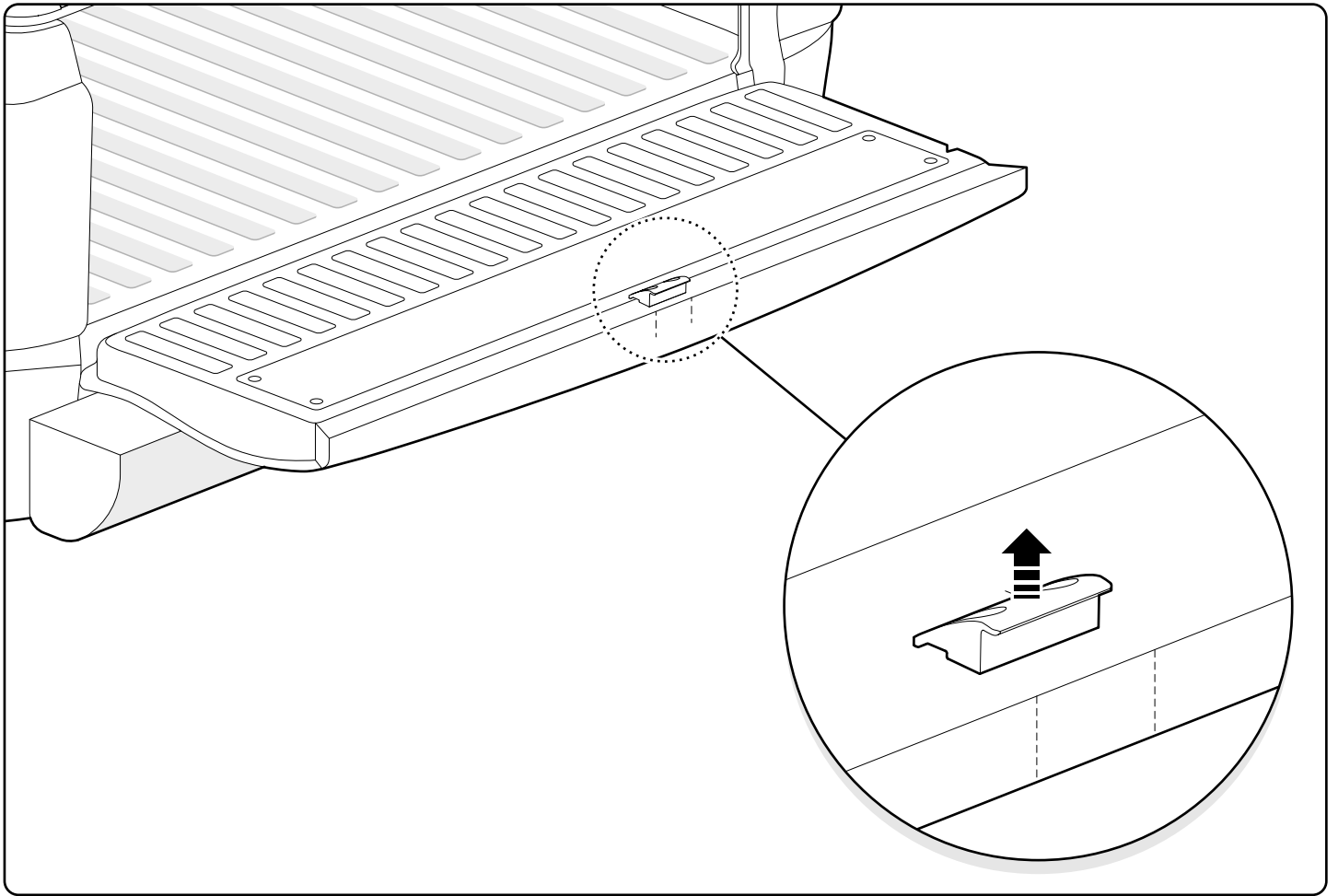


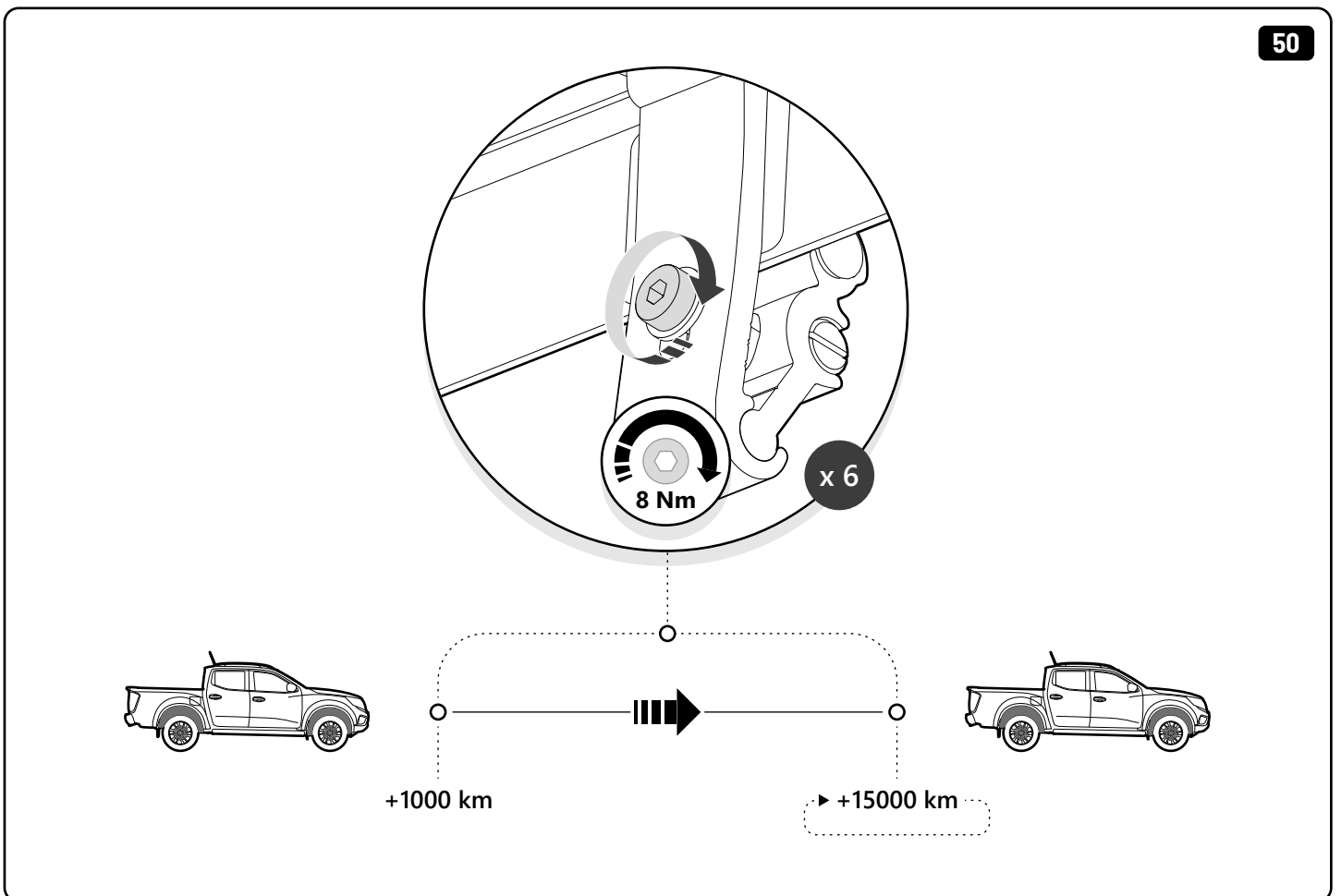
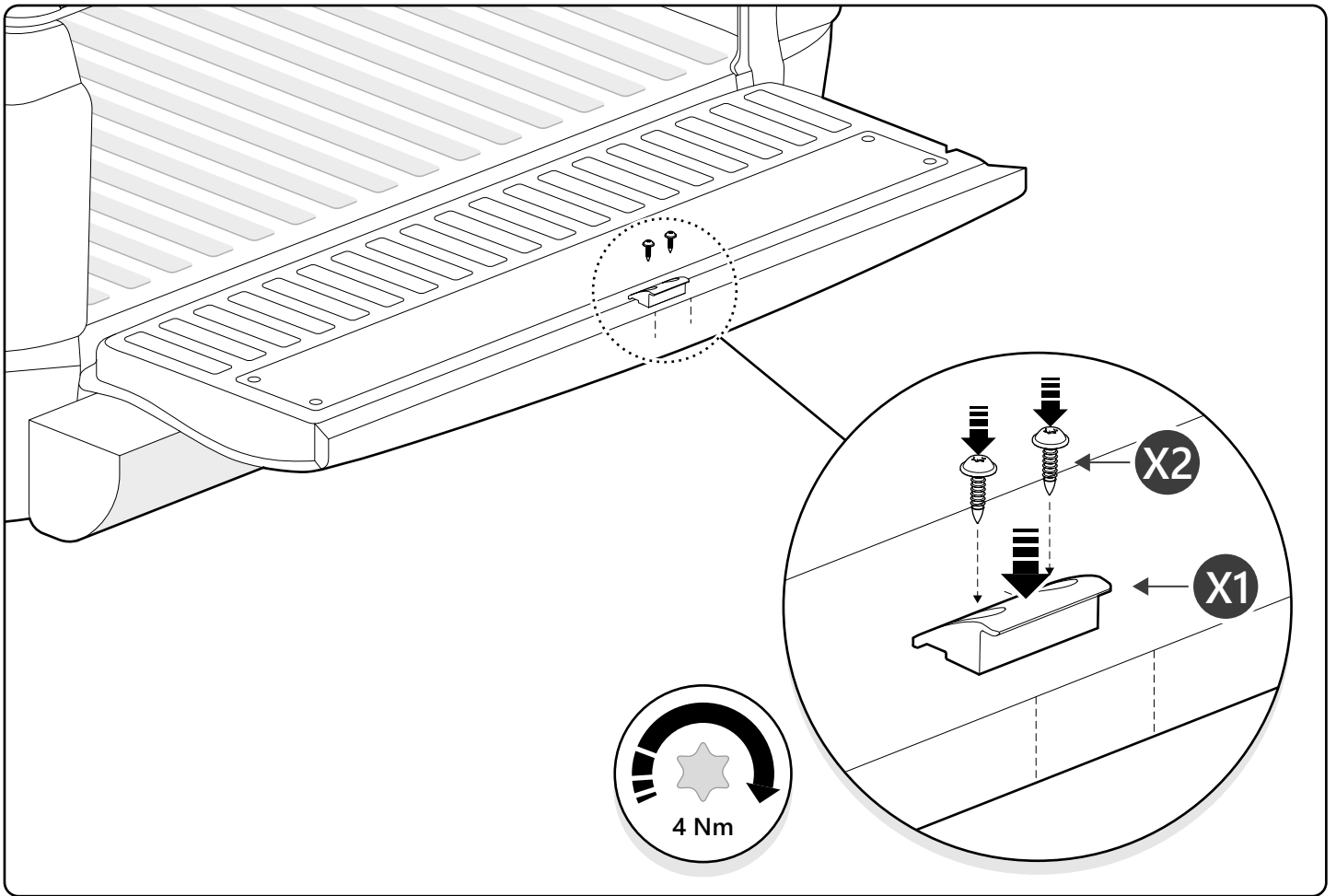


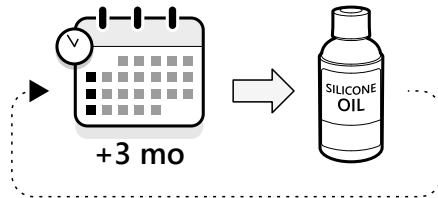
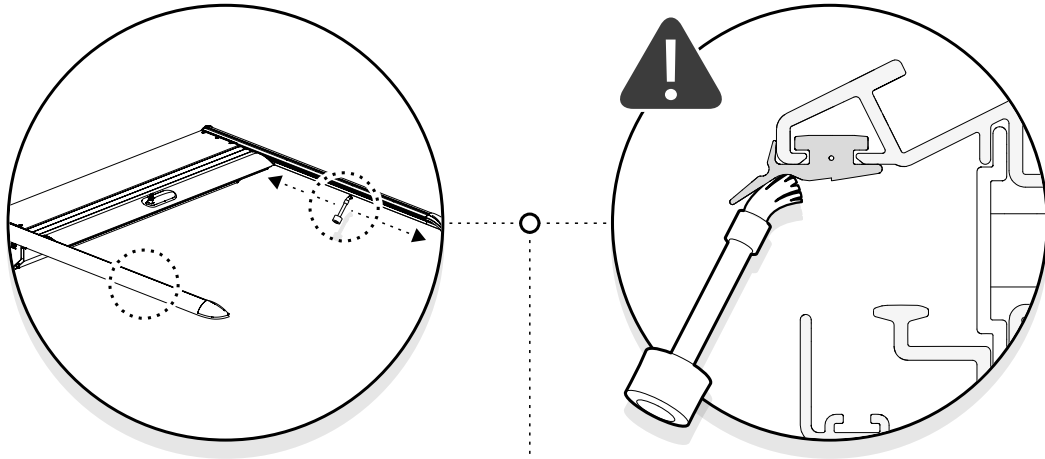


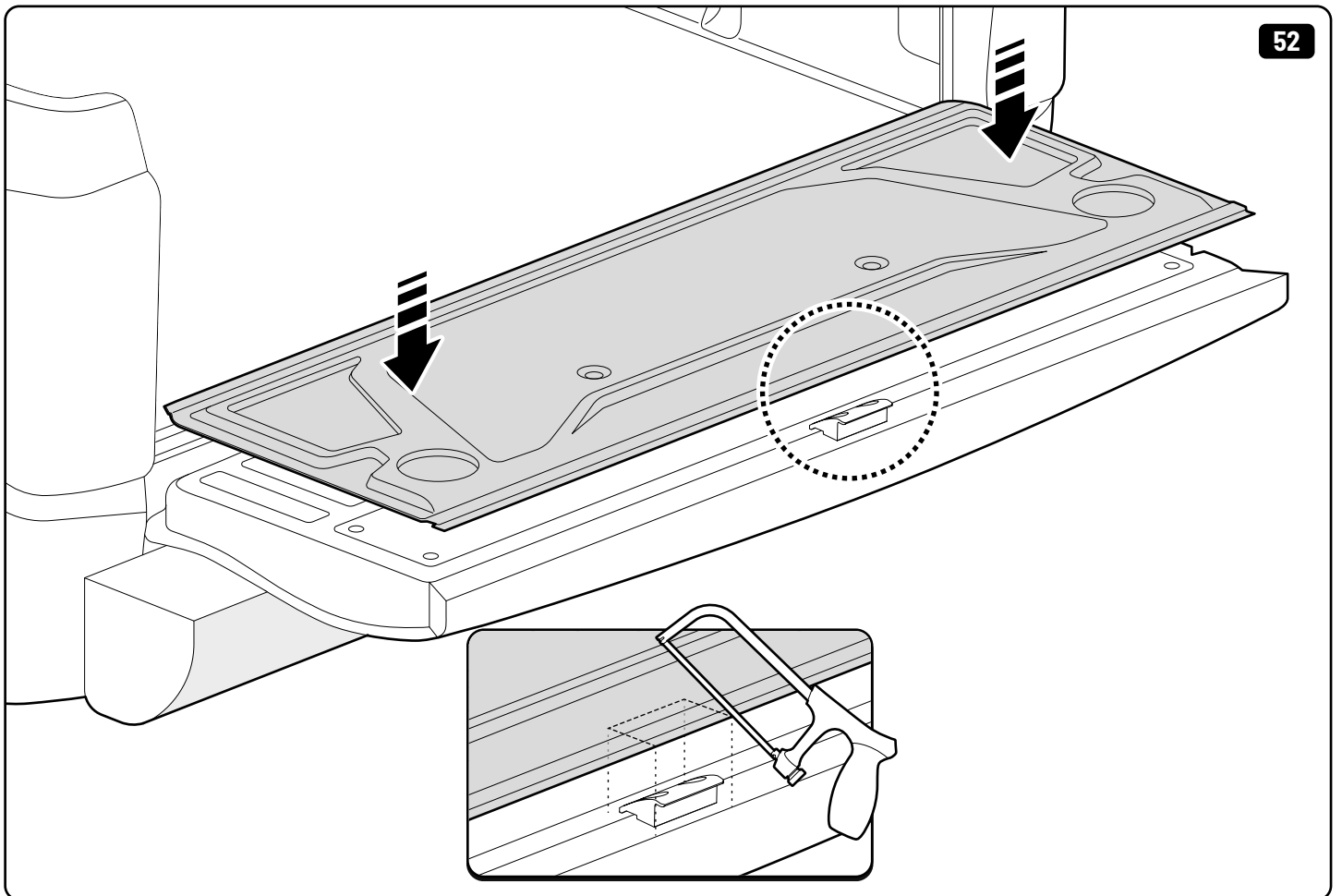
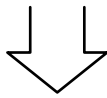
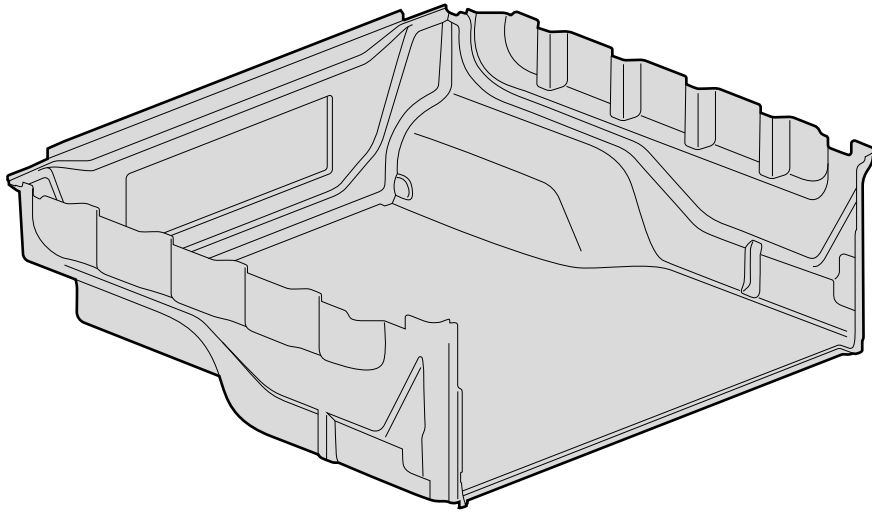


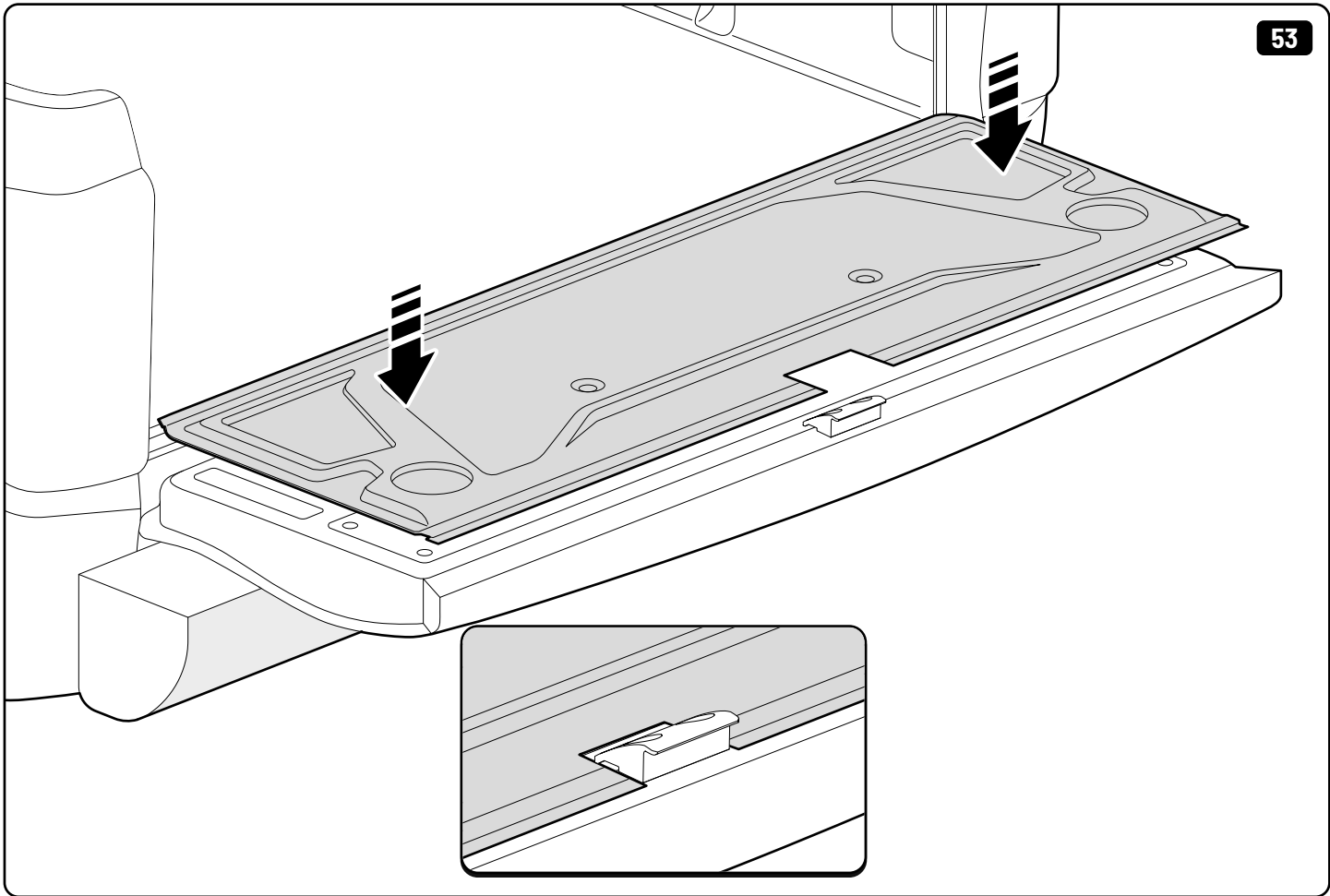


















## Europe

Customer Service	+45 4810 2950 (08:00 - 16:00 CET)
Support	info@mountaintop.dk
Website	www.mountaintop.dk
Address	Pedersholmparken 10, 3600 Frederikssund, Denmark

## Australia

Customer Service	03 9791 9303 (08:00 - 16:00 CET)
Support	info@mountaintop.com.au
Website	www.mountaintop.com.au
Address	Dandenong South, Victoria 3175, Australia

Part number (s)	Model / Year	Cab type (s)	Installation time	Weight
MTRA IS10	Isuzu / 2020 →	Double	2 hour (s)	31-36 Kg
MTRA IS11	Isuzu / 2020 →	Extra	2 hour (s)	31-36 Kg

<b>GB</b> Installation manual	<b>S</b> Monteringsanvisning	<b>D</b> Einbauanleitung
<b>SF</b> Asennusohje	<b>E</b> Instrucciones de montaje	<b>CZ</b> Návod k instalaci
<b>F</b> Notice de montage	<b>H</b> Szerelési utasítás	<b>I</b> Istruzioni de montaggio
<b>PL</b> Instrukcja montażu	<b>P</b> Instruções de instalação	<b>GR</b> Οδηγίες Εγκατάστασης
<b>NL</b> Installatie-instructies	<b>RUS</b> Инструкция по установке	<b>DK</b> Monteringsvejledning
<b>TR</b> Montaj Talimatı	<b>N</b> Monteringsveiledning	<b>RO</b> Instructiuni de instalare